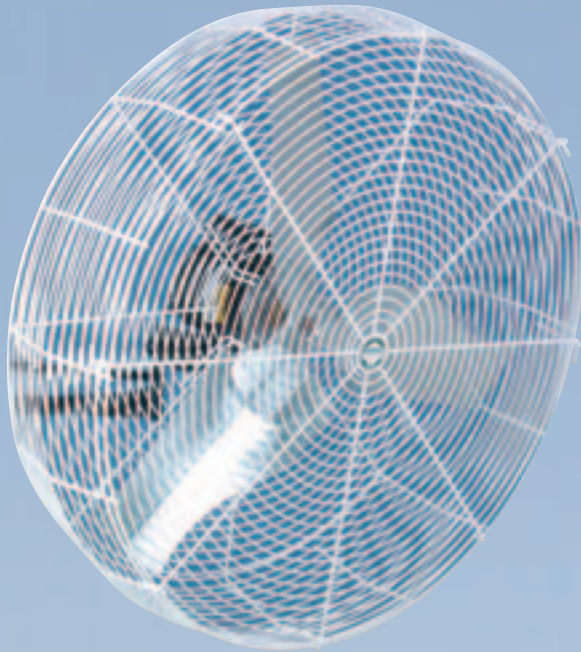


Air Circulation

Barnstormer

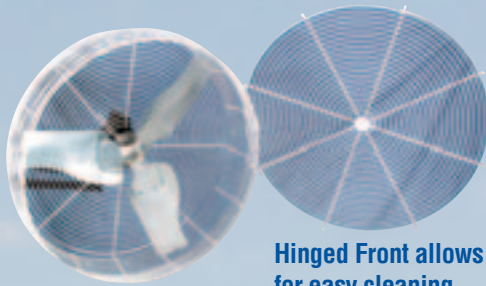
Unique cage design maximizes air flow and allows for easier access for cleaning.

Hinged front simply unhooks and pulls open for easy access. This feature is from a special patented design, U.S. patent No. 5,348,447, that creates a greater air flow and a much wider air pattern for greater coverage.

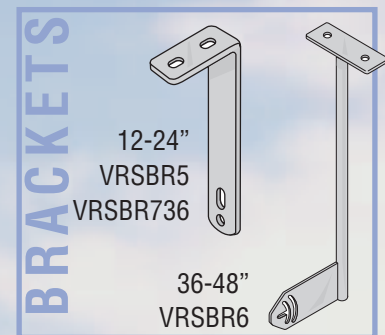


- Totally Enclosed, U.L.C. C. Listed Motors
- Meets OSHA standards (7' and above)
- Single Speed Motors (36" & 48" models)
- Variable Speed Motors (12"-24" models)
- Ceiling Bracket included (wall mount options available on special order)
- *Two Year Motor Warranty*

High Volume, High Efficiency Air Circulator



Hinged Front allows for easy cleaning



Part Number	Size	HP	SPD	Phs	Volt	CFM	RPM	Amp	Ceiling Bracket Included
VBS12	12"	1/10	Vari	1	115/230	2,600	1,725	1.0/1.5	VRSBR736
VBS20	20"	1/3	Vari	1	115/230	6,000	1,725	3.5/1.7	VRSBR5
VBS24	24"	1/2	Vari	1	115/230	8,500	1,725	4.8/2.4	VRSBR5
VBS36A	36"	1/2	1	1	115/230	13,000	825	7.0/3.5	VRSBR6
VBS36CF	36"	1/2	1	3	230/460	13,000	825	7.0/3.5	VRSBR6
VBS48A	48"	1	1	1	230	20,500	850	5.1	Chain Mnt
VBS48CF	48"	1	1	3	230/460	20,500	850	4.6/2.3	Chain Mnt

1-888-82-BANVIL • FAX 1-888-422-6845

Deluxe Basket Fans

- Variable Speed Motor
- **Two Year Motor Warranty**
- Epoxy Coated Guards
- Sealed Bearings
- Totally Enclosed, U.L.C. C. Listed Motors
- Aluminum Blade
- Comes with standard L-bracket
- OSHA Approved guard for installations below and above 7'
- Standard Black guards (special order white and yellow models)



Standard Black Guards and Bracket
(special order white and safety yellow)



Part #	Size	HP	CFM	SPD	Phs	Volt	RPM	Amps
VDB20	20"	1/3	6,000	Vari	1	115/230	1,725	3.5/1.7
VDB24	24"	1/2	8,000	Vari	1	115/230	1,725	4.8/2.4
VDB30	30"	1/2	10,000	Vari	1	115/230	850	7.0/3.5
VDB36	36"	1/2	12,000	Vari	1	115/230	850	7.0/3.5

1-888-82-BANVIL • FAX 1-888-422-6845



Outdoor/Indoor Air Circulation

Outdoor Epoxy Coated Fans

- *Ideal for use with an optional low pressure misting ring or high pressure fogging system.*
- **UL507 Outdoor UL Listed**
- Completely Sealed Motor and Speed Control
- Powder Coating for Extreme Conditions
- Stainless Steel Hardware
- Aluminum Blades
- Optional GFI
- 3-Speed Push Button or Pull Chain
- Fully Adjustable Wall Mount
- Wall/Ceiling Mount on 14" & 18"
- 115 volt
- 6' Cord attached



**Wall Mount,
Premium Wall Mount
and Pedestal Fans**



Part Number	Size	Osc.	HP	SPD	CFM High	CFM Med	CFM Low	Amps
POW14	14"	no	1/8	3	4,000	3,300	2,600	1.1
POW18	18"	no	1/8	3	6,600	4,800	3,800	1.8

***Available soon in 24" & 36"
Oscillating and Non-Oscillating models.***

1-888-82-BANVIL • FAX 1-888-422-6845



775 Main Street East
Milton, Ontario, Canada. L9T 3Z3



Air Circulation



24" & 30" Premium Wall Fans

- Chrome Finish with Black Blade
- 3-Speed Pull Chain Control
- All Metal Construction
- Aluminum Blade Increases Air Flow and Motor Life
- Adjustable Wall Mount
- Oscillating and Non-Oscillating Models



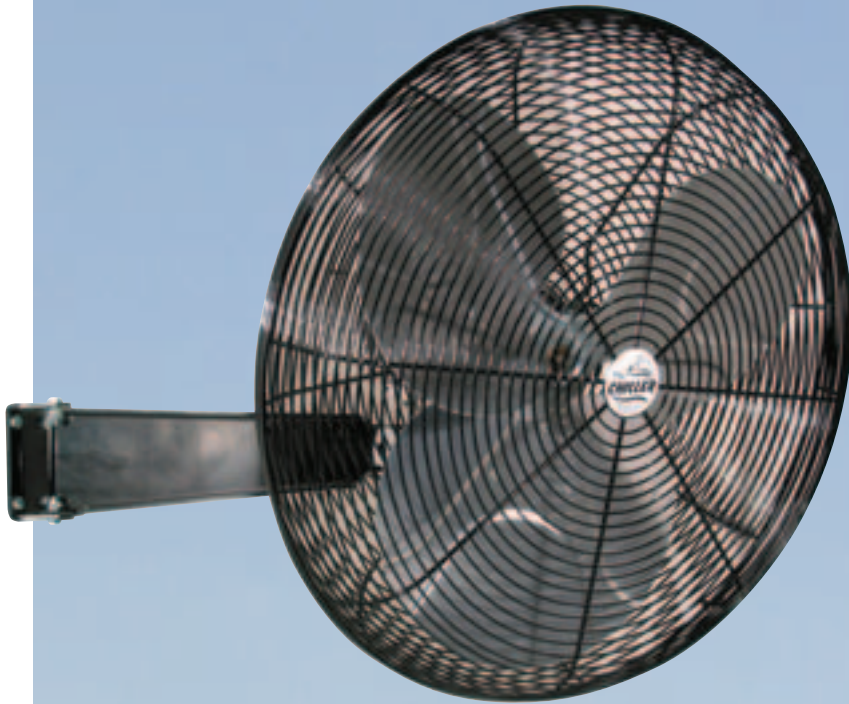
Part Number	Size	HP	SPD	Volt	CFM	CFM	CFM	Amps
Non-Oscillating								
PW24	24"	1/3	3	115	7,200	6,200	5,200	2.8
PW30	30"	1/3	3	115	8,200	7,200	6,200	2.8
Oscillating								
PW24OSC	24"	1/3	3	115	7,200	6,200	5,200	2.8
PW30OSC	30"	1/3	3	115	8,200	7,200	6,200	2.8

1-888-82-BANVIL • FAX 1-888-422-6845

MAYFAIR

Air Circulation

24" & 30" Heavy Duty Wall Fans



- Deluxe Basket Fans With heavy-duty swivel mount wall bracket.
- OSHA approved guards
- Powder coated heavy duty guard two speed motors
- **Two Year Motor Warranty**
- Totally Enclosed, U.L.C. listed motors.
- Automatic Overload protection.
- 115 volt Models, 2 speed-comes with 6' cord set with plug
- Oscillating and Non-Oscillating Models
- Available in Black and Safety Yellow (white available in special order)
- Great for Industrial Applications



Part Number	Size	Osc.	HP	SPD	Volt	CFM High	CFM Low	Amps	Color
VDF24WMB	24"	no	1/4	2	115	6,800	5,000	2.8	Black
VDF24WMY	24"	no	1/4	2	115	6,800	5,000	2.8	Safety Yellow
VDF30WMB	30"	no	1/2	2	115	9,800	7,900	5.8	Black
VDF30WMY	30"	no	1/2	2	115	9,800	7,900	5.8	Safety Yellow
VDF241WMY	24"	yes	1/4	2	115	6,800	5,000	2.8	Safety Yellow
VDF301WMB	30"	yes	1/2	2	115	9,800	7,900	5.8	Black
VDF301WMY	30"	yes	1/2	2	115	9,800	7,900	5.8	Safety Yellow

1-888-82-BANVIL • FAX 1-888-422-6845



775 Main Street East
Milton, Ontario, Canada. L9T 3Z3



MAYFAIR

Air Circulation

20", 24" & 30" Premium Pedestal Fans

- Chrome Finish with Black Blade
- 3-Speed Pull Chain Control
- All Metal Construction
- Aluminum Blade Increases Air Flow and Motor Life
- Toolless Ergonomic Tilt Adjustment Knobs
- 18' Grounded 3-Prong Plug (20" Models have a 6' 6" Grounded 3-Prong Plug)
- Easy Roll Wheels (20" model)
- Oscillating and Non-Oscillating Models



20" Non-Oscillating with wheels

24" and 30"
Oscillating or
Non-Oscillating

Part Number	Size	HP	SPD	Volt	CFM	CFM	CFM	Amps
Non-Oscillating				High	High	Med	Low	
PPHVF20	20"	1/4	3	115	6,200	5,200	4,200	2.1
PPHVF24	24"	1/3	3	115	7,200	6,200	5,200	2.8
PPHVF30	30"	1/3	3	115	8,200	7,200	6,200	2.8
Oscillating								
PPHVF24OSC	24"	1/3	3	115	7,200	6,200	5,200	2.8
PPHVF30OSC	30"	1/3	3	115	8,200	7,200	6,200	2.8

1-888-82-BANVIL • FAX 1-888-422-6845

MAYFAIR

775 Main Street East
Milton, Ontario, Canada. L9T 3Z3



Air Circulation

24" & 30" Heavy Duty Pedestal Fans

- Deluxe Basket Fans With Heavy Duty Pedestal Mount
- OSHA approved guards
- Powder coated heavy duty guard
- **Two Year Motor Warranty**
- Totally Enclosed, U.L.C. listed motors.
- Automatic Overload protection.
- 3" Wheels
- 18' Cord with wrap
- Powder coated finish
- Oscillating and Non-Oscillating Models



Part Number	Size	HP	SPD	Volt	CFM High	CFM Low	Amps	Color
Non-Oscillating								
VDF24WB2	24"	1/4	2	115	6,800	5,000	2.8	Black
VDF24Y2	24"	1/4	2	115	6,800	5,000	2.8	Yellow
VDF30WB2	30"	1/2	2	115	9,800	7,900	5.8	Black
VDF30Y2	30"	1/2	2	115	9,800	7,900	5.8	Yellow
Oscillating								
VDF241WB2	24"	1/4	2	115	6,800	5,000	2.8	Black
VDF241Y2	24"	1/4	2	115	6,800	5,000	2.8	Yellow
VDF301WB2	30"	1/2	2	115	9,800	7,900	5.8	Black
VDF301Y2	30"	1/2	2	115	9,800	7,900	5.8	Yellow

1-888-82-BANVIL • FAX 1-888-422-6845

12", 18", 20" Premium Floor Fans

- 3-Speed Rotary Control
- Chrome Finish with Black Blade
- All Metal Construction
- Aluminum Blade Increases Air Flow and Motor Life
- Toolless Ergonomic Tilt Adjustment Knobs
- Easy Carry Handle and Cord Wrap
- 6' 6" Grounded 3-Prong Plug



Part Number	Size	HP	SPD	Volt	CFM	CFM	CFM	Amps
	Non-Oscillating			High	High	Med	Low	
PHVF12	12"	1/10	3	115	2,700	2,200	1,600	1
PHVF18	18"	1/6	3	115	5,700	4,700	3,200	1.5
PHVF20	20"	1/4	3	115	6,200	5,200	4,200	2.1

1-888-82-BANVIL • FAX 1-888-422-6845

24" Portable Premium Drum Fan

- 2-Speed Rotary Control
- Completely Sealed Motor
- All Metal Construction
- Aluminum Blade Increases Air Flow and Motor Life
- Toolless Ergonomic Tilt Adjustment Knobs
- Large Wheels and Handles for Easy Transportation
- 6' 6" Grounded 3-Prong Plug



Part#	Size	Drive	HP	SPD	Volt	CFM High	CFM Low	RPM	Amps	Color
PDF24	24"	DD	1/3	2	115	7,200	5,500	1,725	2.8	Gray
PDF24W	24"	DD	1/3	2	115	7,200	5,500	1,725	2.8	White

1-888-82-BANVIL • FAX 1-888-422-6845

MAYFAIR

Air Circulation

36", 42" & 48"

Portable Galvanized Drum Fans



- Heavy Duty Galvanized Housing – G90 Galvanized Steel
- Heavy gauge welded wire fan guards—powder coated
- Totally Enclosed, U.L.C. listed motors on Direct Drive
- **Two Year Motor Warranty**
- Balanced high-output fan blade
- Two handles
- Prelubricated ball bearings, thermal overload protection
- Cord Wrap
- Complete 6' cord set with switch
- 8" Hard Plastic Wheels
- Rubber Cushioned Feet



36" & 42" Styles

- Heavy Duty Galvanized Housing—G90 Galvanized Steel
- Heavy gauge welded wire fan guards—powder coated
- **Two Year Motor Warranty**
- Balanced high-output fan blade
- Directional Fins to maximize air flow
- Two handles
- Prelubricated ball bearings, thermal overload protection
- Cord Wrap
- Complete 6' cord set with switch
- 8" Pneumatic Wheels



48" Style

Part Number	Size	Drive	HP	SPD	Volt	CFM High	CFM Low	Amps	Style
VI3612WG	36"	DD	1/2	1	115	11,200		7	Galv
VI4212WG2	42"	BD	1/2	2	115	11,900	8,300	8.2	Galv
VA480	48"	BD	1	1	115	23,500		14	Galv

1-888-82-BANVIL • FAX 1-888-422-6845



775 Main Street East
Milton, Ontario, Canada. L9T 3Z3



MAYFAIR

Air Circulation

Diamond Brite™ Drum Fans



30"–42"



20"–24"



48"

- Heavy Duty Industrial Diamond Brite™ Housings
- Heavy gauge welded wire fan guards—powder coated
- Totally Enclosed, U.L.C. listed motors on Direct Drive
- **Two Year Motor Warranty**
- Balanced high-output fan blade
- Two handles
- Prelubricated ball bearings, thermal overload protection
- Cord Wrap
- Complete 6' cord set with switch
- 8" Hard Plastic Wheels
- Rubber Feet



Diamond Brite Aluminum Fan Housing
Pat. No. Des. 485,610 and 489,808

Part Number	Size	Drive	HP	SPD	Volt	CFM High	CFM Low	Amps	Style
VI2012B1	20"	DD	1/2	1	115	4,760		4.8	D Brite
VI2412B1	24"	DD	1/2	1	115	6,500		4.8	D Brite
VI3012WB	30"	DD	1/2	1	115	9,100		7	D Brite
VI3612WB	36"	DD	1/2	1	115	11,200		7	D Brite
VI4212WB2	42"	BD	1/2	2	115	11,900	8,300	8.2	D Brite
VI481WB1	48"	BD	1	1	115	23,500		11.4	D Brite

1-888-82-BANVIL • FAX 1-888-422-6845



775 Main Street East
Milton, Ontario, Canada. L9T 3Z3



Whirl-Wind Galvanized Box Fans

- Heavy Duty Galvanized Box Fan
- Galvanized Venturi and Blade
- Hot Dipped after Welded Galvanized Wire Mesh Guards—Removable
- Energy Efficient Motors
- Totally Enclosed, U.L.C. listed motors
- **Two Year Motor Warranty**
- Pre-lubricated ball bearings, thermal overload protection
- Enclosed with 1" x 2" Galvanized wire mesh
- Standard Hanging brackets included
- Special order 120/240V Cord attached



Part Number	Size	Drive.	HP	SPD	Phs	Volt	Blade style	CFM High	Amps	RPM
VG36VF36	36"	BD	1	1	3	230/460	4-Glv	13,500	3.1/1.4	1725
VG36VF36GBM	36"	BD	1/2	1	1	115/230	4-Glv	12,200	4.8/2.4	1725
VG48VF48G	48"	BD	1	1	3	230/460	3-Glv	21,600	3.1/1.4	1725
VG48VF48GBM	48"	BD	1	1	1	115/230	3-Glv	21,600	9.6/4.8	1725
VG48G16	48"	BD	1	1	1	115/230	6-Glv	24,428	9.6/4.8	1725
VG48G36	48"	BD	1	1	3	230/460	6-Glv	23,875	3.1/1.4	1725
VG36DM	36"	DD	1/2	1	1	115/230	3-Glv	11,200	7.0/3.5	825
VG36DM3CF	36"	DD	1/2	1	3	230/460	3-Glv	11,200	2.4/1.2	825

1-888-82-BANVIL • FAX 1-888-422-6845

MAYFAIR

Air Circulation

NEW! ES Shutter Fan Exhaust Fans



Control Flow VENTILATING FANS :

- Distribute fresh air throughout building
- Control wide temperature ranges.
- Control condensation.
- Remove gases, moisture and bad odors.
- Improve air quality.
- Improve profits.

MOTOR—Thermally protected PSC Motor (air over) is totally enclosed and designed for a continuous duty work load. All motors are 115/230 Volt, but must be rewired for 230 volt applications. Totally Enclosed, U.L.C. listed motors. *Two year warranty.*

BLADE—The fan blade is constructed of aluminum with a zinc plated steel hub balanced for smooth vibration-free operation. Pitch is designed to correlate with motor horsepower to deliver maximum efficiency.

CHROME GRILL—Allows easy cleaning and meets OSHA guidelines. (OSHA approved on interior wall and approved on exterior wall when mounted 7' above ground.)

SHUTTER—High efficiency aluminum shutters with tie bar to eliminate louvre flapping

CORD—9' Cord attached, is wired for 115 Volt plug.

Part #	Size	Drive	HP	RPM	Spd	Phs	Volt	CFM	AMPS
VES12C	12"	DD	1/10	1750	S/V-SP	1	115	1,050	1.0/1.5
VES16C	16"	DD	1/4	1750	S/V-SP	1	115	2,175	3.0
VES161C	16"	DD	1/10	1750	S/V-SP	1	115	2,000	1.0/1.5
VES20C	20"	DD	1/4	1750	S/V-SP	1	115	3,575	3.0
VES201C	20"	DD	1/10	1750	S/V-SP	1	115	2,750	1.0/1.5
VES24C	24"	DD	1/3	1750	S/V-SP	1	115	5,000	3.5/1.7
VES242C	24"	DD	1/2	1750	S/V-SP	1	115	6,000	4.8/2.4
VES30C	30"	DD	1/2	825	SP	1	115	8,000	7.0/3.5
VES36C	36"	DD	1/2	825	SP	1	115	12,000	7.0/3.5

SP = Single Speed, S/V-SP = Single and Variable Speed

1-888-82-BANVIL • FAX 1-888-422-6845



775 Main Street East
Milton, Ontario, Canada. L9T 3Z3

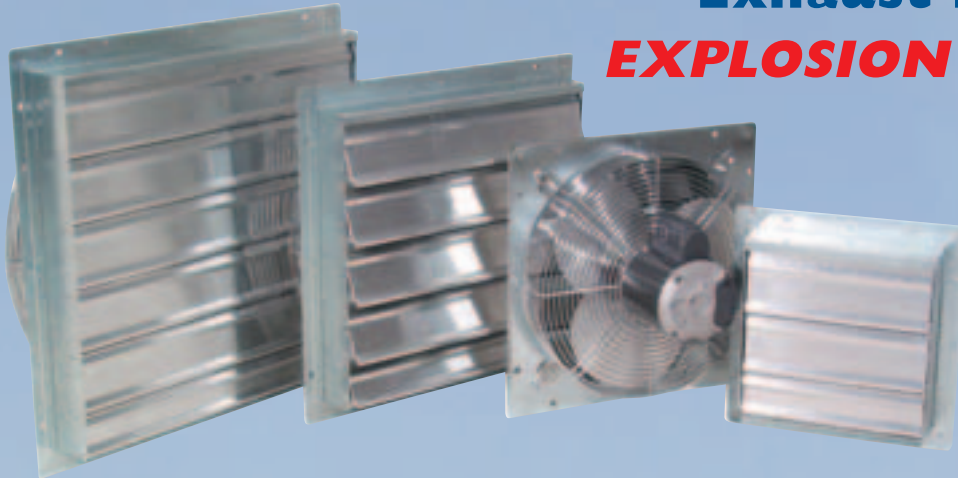


MAYFAIR

Air Circulation

NEW! ES Shutter Fan Exhaust Fans

EXPLOSION PROOF



Control Flow VENTILATING FANS :

- Distribute fresh air throughout building
- Control wide temperature ranges.
- Control condensation.
- Remove gases, moisture and bad odors.
- Improve air quality.
- Improve profits.

MOTOR—Thermally protected PSC Motor (air over) is totally enclosed and designed for a continuous duty work load. All motors are 115/230 Volt, but must be rewired for 230 volt applications. Totally Enclosed, U.L.C. listed motors. *Two year warranty.*

BLADE—The fan blade is constructed of aluminum with a zinc plated steel hub balanced for smooth vibration-free operation. Pitch is designed to correlate with motor horsepower to deliver maximum efficiency.

CHROME GRILL—Allows easy cleaning and meets OSHA guidelines. (OSHA approved on interior wall and approved on exterior wall when mounted 7' above ground.)

SHUTTER—High efficiency aluminum shutters with tie bar to eliminate louvre flapping

GREAT FOR PAINT BOOTHS

Part #	Size	Drive	HP	RPM	Spd	Phs	Volt	CFM	AMPS
VESX16	16"	DD	1/2	1750	Single	1	115/230	2,175	7.4/3.0
VESX20	20"	DD	1/2	1750	Single	1	115/230	3,575	7.4/3.0
VESX242	24"	DD	1/2	1750	Single	1	115/230	6,000	7.4/3.0

SP = Single Speed, S/V-SP = Single and Variable Speed

1-888-82-BANVIL • FAX 1-888-422-6845



775 Main Street East
Milton, Ontario, Canada. L9T 3Z3



Air Circulation

ES Shutter Fan Exhaust Fans



Control Flow VENTILATING FANS :

- Distribute fresh air throughout building.
- Control wide temperature ranges.
- Control condensation.
- Remove gases, moisture and bad odors.
- Improve air quality.
- Improve profits.



MOTOR—Thermally protected PSC Motor (air over) is totally enclosed and designed for a continuous duty work load. Totally Enclosed, U.L.C. listed motors. *Two year warranty.*

BLADE—The fan blade is constructed of aluminum with a zinc plated steel hub balanced for smooth vibration-free operation. Pitch is designed to correlate with motor horsepower to deliver maximum efficiency.

CHROME GRILL—Allows easy cleaning and meets OSHA guidelines. Allows easy cleaning and meets OSHA guidelines. (OSHA approved on interior wall and approved on exterior wall when mounted 7' above ground.)

SHUTTER—High efficiency aluminum shutters.

Part #	Size	Drive	HP	RPM	Spd	Phs	Volt	CFM	AMPS
VES12	12"	DD	1/12	1750	S/V-SP	1	115	1,050	1.0/.5
VES16	16"	DD	1/4	1750	S/V-SP	1	115	2,175	3.0
VES20	20"	DD	1/4	1750	S/V-SP	1	115	3,575	3.0
VES24	24"	DD	1/2	1750	S/V-SP	1	115	6,125	3.5/1.7

1-888-82-BANVIL • FAX 1-888-422-6845

Air Circulation



Cone Fan
Slant wall



Typhoon Exhaust Fans

Cone and No-cone Models

- Heavy Duty Galvanized Box Fan
- Galvanized Venturi and X-Frame
- Galvanized Wire Mesh Guard
- Industrial Grade Aluminum Shutter
- Automatic spring loaded belt tightener
- Energy Efficient Motors
- Totally Enclosed, U.L.C. listed motors (Except 42" Models)
- **Two Year Motor Warranty**
- Prelubricated ball bearings, thermal overload protection

The 48" Typhoon Cone Fan has been tested and certified by an independent testing agency. Our galvanized Scallop-Twist designed blade is engineered for high output-low noise. The energy efficient, thermally protected, totally enclosed ball bearing motor has a **2 year warranty**.

Please note when installing a Typhoon fan you must also supply an inlet. We recommend our power intake shutters. Generally you should order one shutter per fan at least one size larger than your fan.

FAN HOUSING:

- Cost efficient heavy duty 18 gauge galvanized construction for superior durability and longevity. Smooth spun venturi maximize air-flow dynamics.
- Galvanized blade is engineered for high output-low noise.
- Galvanized Deep Cone to reduce back pressure and boost performance.
- Heavy duty galvanized X-Frame motor mount provides solid motor mounting for increased motor life and quieter operation.

FAN BLADES:

Galvanized three and four blade props; highly efficient, easy cleaning, balanced for smooth operation and extended life of blade and motor.

NEW cast aluminum 50" blades for high performance and low noise.

MOTOR:

- Tough, energy efficient, totally enclosed, automatic thermal protection, pre-lubricated ball bearings, dual voltage.
- Totally Enclosed, U.L.C. listed motors
- **2-Year warranty.**
- Heavy Duty Automatic belt tightener on all belt drive models.
- Matched motor & belt ratio for maximum air, without overloading the motor.
- Eccentric lock collar bearings.

SHUTTERS:

High performance aluminum shutters.



No-cone
Slant wall

1-888-82-BANVIL • FAX 1-888-422-6845



Cone Fan Models

Models With Cone									0" S.P.	.05" S.P.	1.0 S.P.	CFM/			
Part #	Size	Style	Cone	Drive	HP	RPM	Spd	Phs	Bld	CFM	CFM	CFM	Watt	Amps	Volt
VFS24CS850	24"	Slant	Yes	Direct	1/2	850	1	1	3 Glv	7,500	7,125	6769	16	7.0/3.5	115/230
VFS24CS1100	24"	Slant	Yes	Direct	1/2	1,100	1	1	3 Glv	7,400	7,030	6679	15.8	11.5/5.8	115
VFS30CS850	30"	Slant	Yes	Direct	1/2	850	1	1	3 Glv	10,300	9,800	9310	17	7.0/3.5	115/230
VFS30CS1100	30"	Slant	Yes	Direct	1/2	1,100	1	1	3 Glv	10,200	9,700	9215	16.9	11.5/5.8	115
VFS36CD	36"	Slant	Yes	Direct	1/2	850	1	1	3 Glv	12,800	12,160	11552	21	7.0/3.5	115/230
VFS36CS	36"	Slant	Yes	Belt	1/2	1,725	1	1	4 Glv	12,800	12,160	11552	21	4.8/2.4	115/230
VFS36CS2	36"	Slant	Yes	Belt	1	1,725	2	1	4 Glv	17,000	16,150	15343	19	4.6/2.3	115/230
VFS36CS3	36"	Slant	Yes	Belt	1	1,725	1	3	4 Glv	17,000	16,150	15343	19	1.8/9	230/460
VFS42CS	42"	Slant	Yes	Belt	1/2	850	1	1	3 Glv	14,700	13,950	13253	21	4.8/2.4	115/230
VFS42CS1	42"	Slant	Yes	Belt	1	1,725	1	1	3 Glv	18,900	18,000	17100	20	9.6/4.8	115/230
VFS42CS2	42"	Slant	Yes	Belt	1	1,725	2	1	3 Glv	18,900	18,000	17100	20	4.6/2.3	115/230
VFS48CS	48"	Slant	Yes	Belt	1	1,725	1	1	3 Glv	23,200	22,000	20900	22.1	9.6/4.8	115/230
VFS48CS2	48"	Slant	Yes	Belt	1	1,725	2	1	3 Glv	23,000	21,850	20758	19	4.6/2.3	115/230
VFS48CS3	48"	Slant	Yes	Belt	1	1,725	1	3	3 Glv	23,000	21,850	20758	19	3.1/1.4	230/460
VFS48CS6	48"	Slant	Yes	Belt	1	1,725	1	1	6 Glv	23,200	22,000	20900	22.1	4.6/2.3	115/230
VFS4815CS	48"	Slant	Yes	Belt	1 1/2	1,725	1	1	3 Glv	27,300	25,600	24320	20	9.6/4.8	115/230
VFS4815CS6	48"	Slant	Yes	Belt	1 1/2	1,725	1	1	6 Glv	27,300	25,600	24320	20	4.6/2.3	115/230
VFS50CS	50"	Slant	Yes	Belt	1	1,725	1	1	3 Glv	25,520	24,200	22990	24.3	9.6/4.8	115/230
VFS50CS2	50"	Slant	Yes	Belt	1	1,725	2	1	3 Glv	25,300	24,035	22833	20.9	4.6/2.3	115/230
VFS50CS3	50"	Slant	Yes	Belt	1	1,725	1	3	3 Glv	25,300	24,035	22833	20.9	3.1/1.4	230/460
VFS5015CS	50"	Slant	Yes	Belt	1 1/2	1,725	1	1	3 Glv	30,030	28,160	26752	22	17/8.5	115/230
Models Without Cone									0" S.P.	.05" S.P.	1.0 S.P.	CFM/			
Part #	Size	Style	Cone	Drive	HP	RPM	Spd	Phs	Bld	CFM	CFM	CFM	Watt	Amps	Volt
VNS24S850	24"	Slant	no	Direct	1/2	850	1	1	3 Glv	7,100	6,750	6413	15	7.0/3.5	115/230
VNS24S1100	24"	Slant	no	Direct	1/2	1,100	1	1	3 Glv	7,000	6,650	6318	14.75	11.5/5.8	115
VNS30S850	30"	Slant	no	Direct	1/2	850	1	1	3 Glv	9,800	9,400	8930	17	7.0/3.5	115/230
VNS30S1100	30"	Slant	no	Direct	1/2	1,100	1	1	3 Glv	9,700	9,300	8835	16.9	11.5/5.8	115
VNS36D	36"	Slant	no	Direct	1/2	850	1	1	3 Glv	12,000	11,400	10830	20	7.0/3.5	115/230
VNS36S	36"	Slant	no	Belt	1/2	1,725	1	1	4 Glv	12,000	11,400	10830	20	4.8/2.4	115/230
VNS36S2	36"	Slant	no	Belt	1	1,725	2	1	4 Glv	16,000	15,200	14440	18	4.6/2.3	115/230
VNS36S3	36"	Slant	no	Belt	1	1,725	1	3	4 Glv	16,000	15,200	14440	19	1.8/9	230/460
VNS42S	42"	Slant	no	Belt	1/2	850	1	1	3 Glv	14,000	13,300	12635	20	4.8/2.4	115/230
VNS42S1	42"	Slant	no	Belt	1	1,725	1	1	3 Glv	18,000	17,100	16245	19	9.6/4.8	115/230
VNS42S2	42"	Slant	no	Belt	1	1,725	2	1	3 Glv	18,000	17,100	16245	19	4.6/2.3	115/230
VNS48S	48"	Slant	no	Belt	1	1,725	1	1	3 Glv	21,800	20,700	19665	22	9.6/4.8	115/230
VNS48S2	48"	Slant	no	Belt	1	1,725	2	1	3 Glv	21,500	20,400	19380	18	4.6/2.3	115/230
VNS48S3	48"	Slant	no	Belt	1	1,725	1	3	3 Glv	23,000	21,850	20758	19	3.1/1.4	230/460
VNS48S6	48"	Slant	no	Belt	1	1,725	1	1	6 Glv	21,900	20,800	19760	22.1	4.6/2.3	115/230
VNS4815S	48"	Slant	no	Belt	1 1/2	1,725	1	1	3 Glv	26,000	24,700	23465	18.9	9.6/4.8	115/230
VNS4815S6	48"	Slant	no	Belt	1 1/2	1,725	1	1	6 Glv	26,000	24,700	23465	18.9	4.6/2.3	115/230
VNS50S	50"	Slant	no	Belt	1	1,725	1	1	3 Glv	23,980	22,770	21632	24.2	9.6/4.8	115/230
VNS50S2	50"	Slant	no	Belt	1	1,725	2	1	3 Glv	23,650	22,440	21318	19.8	4.6/2.3	115/230
VNS50S3	50"	Slant	no	Belt	1	1,725	1	3	3 Glv	25,300	24,035	22833	20.9	3.1/1.4	230/460
VNS5015S	50"	Slant	no	Belt	1 1/2	1,725	1	1	3 Glv	28,600	27,170	25812	20.8	17/8.5	115/230

1-888-82-BANVIL • FAX 1-888-422-6845



775 Main Street East
Milton, Ontario, Canada. L9T 3Z3



MAYFAIR

**Exclusive
Patented
MODELS**

Air Circulation

Portable Cooling

Exciting new patented misting fans!

- Independent shut off valve on each nozzle ensures cooling when you need it.
- GFI ground fault interrupters on all 120V units
- High volume/High velocity fans create cooling by wind movement and dispense the refreshing cooling mist over a large area.
- Totally Enclosed, U.L.C. listed motors
- Aluminum Frame
- Misting ring included
- If unit is used indoors, please provide an air exchange strategy.



VAC36-DBOSC Model

c  US LISTED



VAC30 Model

Patent No:
US 6,789,787 B2

Part #	Description	Volt	Tank Reserve Hours	Water in Gallons
VAC18	18" Portable Cooling Unit w/ 18" Fan w/GFI	120V	6-8	18
VAC24	24" Portable Cooling Unit w/ 24" Fan w/GFI	120V	6-8	18
VAC30-FD	30" Portable Cooling Unit w/ 30" Fan, Fold Down w/GFI	120V	6-8	18
VAC30-FDO	30" Portable Cooling Unit w/ 30" Fan, OSC, Fold Down w/GFI	120V	6-8	18
VAC30-EP	30" Portable Cooling Unit w/ 30" Explosion Proof Fan w/GFI	120V	6-8	18
VAC36-DB	36" Portable Cooling Unit w/36" Diamond Brite OSC Fan w/GFI	120V	10-12	35
VAC36-DBOSC	36" Portable Cooling Unit w/36" Diamond Brite OSC Fan w/GFI	120V	10-12	35

1-888-82-BANVIL • FAX 1-888-422-6845

MAYFAIR

775 Main Street East
Milton, Ontario, Canada. L9T 3Z3



MAYFAIR

**Exclusive
MODELS**

Air Circulation



Cool Breeze Fogger

The Cool Breeze Fogger portable oscillating fogging system will keep your group cool where ever you go. Cool large areas outside and inside without air conditioning units.

- The Cool Breeze Fogger produces a fine mist at approximately 5 microns in water droplet size resulting in coolness without dampness.
- Reduce the ambient temperature by 15° to 40° in high heat or even high humidity areas.
- Large 36" Aluminum Diamond Brite Fan—1/2 Hp.,
- Totally Enclosed, U.L.C. listed motors

Diamond Brite Aluminum Fan Housing
Pat. No. Des. 485,610 and 489,808



Part Number	Size	HP	RPM	CFM
Non-Oscillating				
CBF30N	30"	1/2	840	9,100
CBF36N	36"	1/2	840	11,200
Oscillating				
CBF30	30"	1/2	840	9,100
CBF36	36"	1/2	840	11,200

1-888-82-BANVIL • FAX 1-888-422-6845

MAYFAIR

775 Main Street East
Milton, Ontario, Canada. L9T 3Z3



Air Circulation

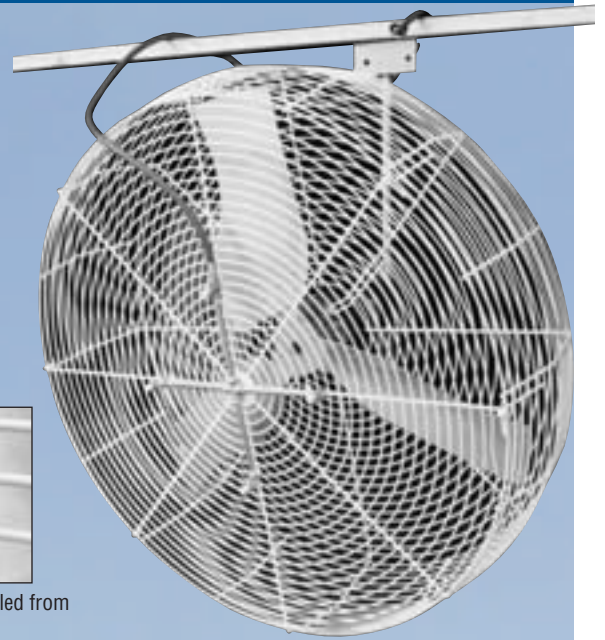
Misting System

Evaporative Cooling System

EVAPORATIVE COOLING is nature's own way of cooling air. By using the principle of "latent heat of evaporation" heat is taken from the air to convert liquid to a vapor, providing a reduction in the ambient temperature.



Mist kit comes preassembled from the factory. Simply strap the kit to the fan guard and attach the fitting to your PVC header.



GPH is based on 40 PSI (pounds per square inch) of water pressure



Stainless Steel 4-Way



Stainless Steel 6-Way



Poly 6-Way

Part #	Description
SS00	Complete Header System W/O Pump Or Nozzle
SS01	1" Ball Valve
SS02	1" Unions Schedule 80 Sxs
SS03	1" Check Valve (One Way)
SS04112	1.5" Spindown Filter (Includes Cartridge)
SS04112F	1.5" 140 Mesh Replacement Filter Cartridge
SS05	10" Blue Magnum Filter W/Cartridge
SS05M	Replacement Filter Cartridge 5 Micron Final Filter
SS06	Aquadene Chemical Injector/Dispenser (Sk200D)
SS06F	Replacement Filter Cartridge
SS07	3/4" 110V Water Valve Brass
SS10	Pressure Gauge
SS11	Pulsation Damper
SS12	Electric Flow Switch Ps40A1
SS13	Pressure Relief Valve
SS14	Interval Timer
SS36S	4 Way SS Cross W/ 6' Hose With Nozzle (Gray)
SS36S6	6-Way SS Cross W/ 6'Hose And Nozzle (Gray)
SS418B	Blue Mist Nozzle 1.6 Gph
SS418C	Cream Mist Nozzle 1.2 Gph
SS418G	Gray Mist Nozzle .7Gph
VC115	120-230V Single Speed Moisture Proof Thermostat

1-888-82-BANVIL • FAX 1-888-422-6845

MAYFAIR

Air Circulation

Controls



VC15



VC15C Cord



MTC-4C



MSC-4



Part #	Amps	Description
VC15		SINGLE STAGE SPEED CONTROL
VC15C		SINGLE STAGE SPEED CONTROL W/MALE/FEMALE PLUG-IN
MSC-4		MANUAL VAR SP 12.5 AMP
MSC-4C		MANUAL VAR SP 12.5 AMP W/MALE/FEMALE PLUG-IN
MTC-4C		AUTOMATIC TEMPERATURE
MTC-4CC		AUTOMATIC TEMPERATURE W/MALE/FEMALE PLUG-IN

Please note when loading the amperage of a control you may only load up to 80% of the name plate current.

1-888-82-BANVIL • FAX 1-888-422-6845



775 Main Street East
Milton, Ontario, Canada. L9T 3Z3



Air Circulation

Aluminum Shutters

- Aluminum Powered Intake Shutters or free-air exhaust
- Nylons bearings; solid shafts; drawn cup-type sleeves on all movable linkage
- Frame of heavy aluminum extrusion with 1/2" channel lock water stop and precision milled corners
- Interlocking blades for maximum weather seal
- Double panel units constructed with rigid "T" section center member



Part #	Size	Description
VRSG16A-C	16" x 16"	
VRSG20A-C	20" x 20"	
VRSG24A-C	24" x 24"	
VRSG30A-C	30" x 30"	
VRSG36A-C	36" x 36"	
VRSG42A-C	42" x 42"	
VRSG48A-C	48" x 48"	
VRSG54A-C	54" x 54"	
VRSG60A-C	60" x 60"	
VRS1230-C		Motorized shutter kit: 12"-30", with cord
VRS3660-C		Motorized shutter kit: 36"-60", with cord

Poly Shutters

Constructed of a white exterior grade PVC material to create a maintenance free shutter. No rust, no corrosion, never needs painting and easy to clean. Improved fan efficiency has been achieved through our aerodynamic design which creates smoother operation and less air drag.

- Stainless steel corner clips inside PVC framework, results in stronger shutter construction
- Nylon pivot bearing on each louver
- Curved shape of the blades assures a tight seal when the shutter is closed



Part #	Size
VRS12P	12" x 12"
VRS16P	16" x 16"
VRS20P	20" x 20"
VRS24P	24" x 24"
VRS30P	30" x 30"
VRS36P	36" x 36"
VRS42P	42" x 42"
VRS48P	48" x 48"
VRS54P	54" x 54"

1-888-82-BANVIL • FAX 1-888-422-6845