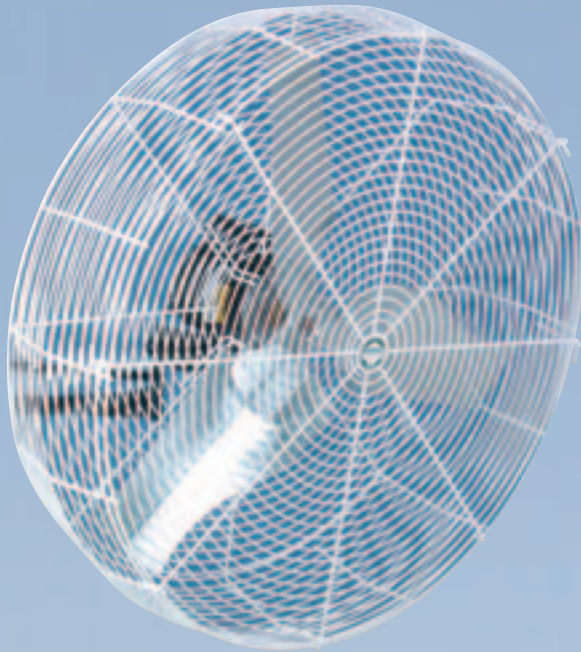


Air Circulation

Barnstormer

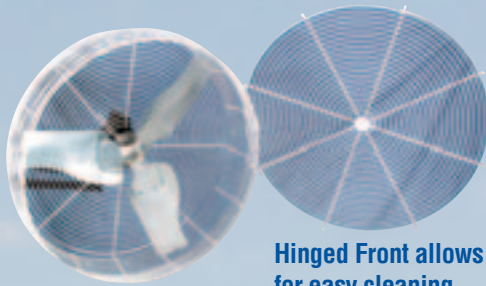
Unique cage design maximizes air flow and allows for easier access for cleaning.

Hinged front simply unhooks and pulls open for easy access. This feature is from a special patented design, U.S. patent No. 5,348,447, that creates a greater air flow and a much wider air pattern for greater coverage.

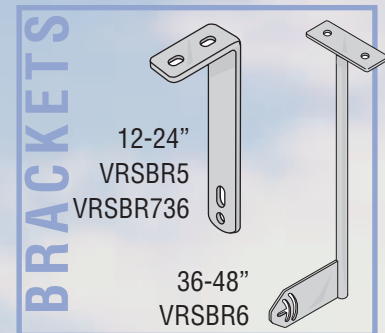


- Totally Enclosed, U.L.C. C. Listed Motors
- Meets OSHA standards (7' and above)
- Single Speed Motors (36" & 48" models)
- Variable Speed Motors (12"-24" models)
- Ceiling Bracket included (wall mount options available on special order)
- *Two Year Motor Warranty*

High Volume, High Efficiency Air Circulator



Hinged Front allows for easy cleaning



Part Number	Size	HP	SPD	Phs	Volt	CFM	RPM	Amp	Ceiling Bracket Included
VBS12	12"	1/10	Vari	1	115/230	2,600	1,725	1.0/1.5	VRSBR736
VBS20	20"	1/3	Vari	1	115/230	6,000	1,725	3.5/1.7	VRSBR5
VBS24	24"	1/2	Vari	1	115/230	8,500	1,725	4.8/2.4	VRSBR5
VBS36A	36"	1/2	1	1	115/230	13,000	825	7.0/3.5	VRSBR6
VBS36CF	36"	1/2	1	3	230/460	13,000	825	7.0/3.5	VRSBR6
VBS48A	48"	1	1	1	230	20,500	850	5.1	Chain Mnt
VBS48CF	48"	1	1	3	230/460	20,500	850	4.6/2.3	Chain Mnt

1-888-82-BANVIL • FAX 1-888-422-6845