

SILVER LINE

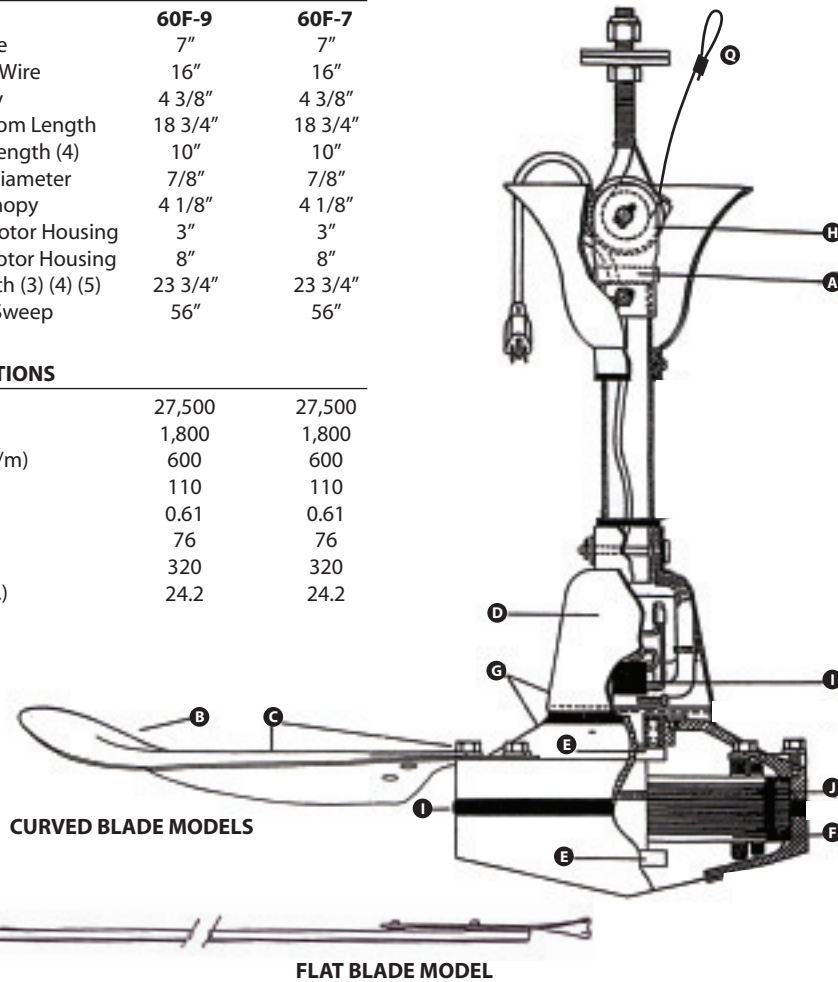
SILVER LINE - HEAVY DUTY INDUSTRIAL CEILING FAN DIMENSIONS

DIMENSIONS

Feature	60F-9	60F-7
Safety Cable	7"	7"
Cord/ Lead Wire	16"	16"
Top Canopy	4 3/8"	4 3/8"
Top to Bottom Length	18 3/4"	18 3/4"
Downrod Length (4)	10"	10"
Downrod Diameter	7/8"	7/8"
Bottom Canopy	4 1/8"	4 1/8"
Depth of Motor Housing	3"	3"
Width of Motor Housing	8"	8"
Blade Length (3) (4) (5)	23 3/4"	23 3/4"
Diameter/ Sweep	56"	56"

SPECIFICATIONS

CFM	27,500	27,500
Area (sq. ft.)	1,800	1,800
Velocity (ft./m)	600	600
Volts	110	110
Amps	0.61	0.61
Watts	76	76
RPM	320	320
Weight (lbs.)	24.2	24.2



3 YEAR LIMITED WARRANTY

60F-9 & 60F-7

- A Pre-wired with 16" cord and built-in strain relief.
- B Aerodynamically designed curved-tip 56" blades for maximum air delivery
- C Precision-balanced metal blades for smooth, quiet operation.
- D All metal. No plastic.
- E Permanently sealed ball bearings.
- F Totally enclosed .8 amp heavy duty motor with impedance protection.
- G Corrosion-resistant epoxy prime and finish coat on all metal housings and blades.
- H Simple J-hook mount
- I 7.5 mfd non-polar, weatherproof encapsulated, extra heavy-duty capacitor
- J High grade silicone steel motor laminations for maximum energy efficiency
- K Full three-year warranty.
- L Solid state infinite speed controls
- M Uses less energy than a 100W bulb.
- N 10" downrod. 36" available.
- O Shipped completely assembled, except blades.
- P Heavy cast yoke for infield downrod change
- Q Safety cable installed

FEATURES

Cords/ Lead Wires/ Safety Cables measured from top of down rod.

Model numbers 190A-7, 190A-18, 160F7, 60F7, FP56, FP56-36, FP36 feature plug and cord. All other models have **4 wire leads**.

Model 160C, FP56C and FP48R feature straight blades. All other models have curved tipped blades.

Model 190A also available with 37" diameter straight or curved tipped blades.

Blade bracket included in measured length.

Model 190, 160 and 136F fans use E961 36" downrod extension. Extending downrod on 190A will void downrod moisture seal

60F and FP series use E962 36" downrod extension.

Note: All fans with plug and cord require 60" plug and cord Part" Cord-WH to install 36" standard downrod.

Parts and installation charge apply if factory installed.

Customized downrod lengths over 36" available. Also 16' cord with plug part # Cord-WH16

Heavy cast yoke for infield downrod change

Safety cable installed

BANVIL 2000

INDUSTRIAL CEILING FANS

Division of 3383768 Canada Limited

P.O. Box 23087, 55 Ontario Street, South Milton, Ontario L9T 2M3
PH: 1.888.8BANVIL (22-6845) FX: 1.888.4BANVIL (22-6845)



North America's Leading
Manufacturer of Quality
Industrial and Commercial
Ceiling Fans

