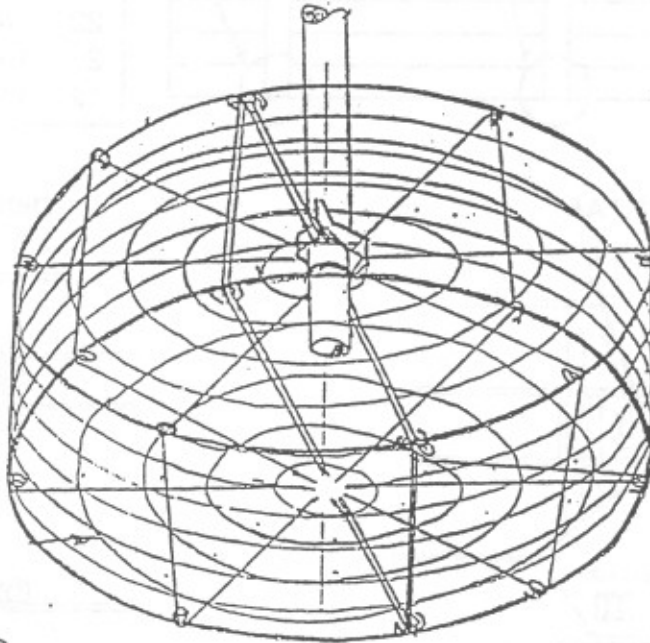
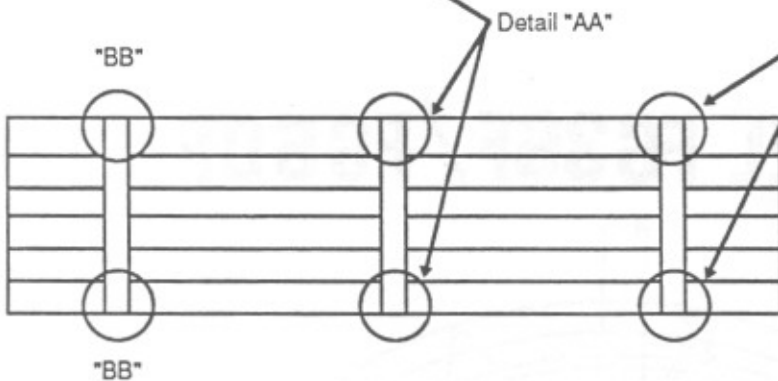
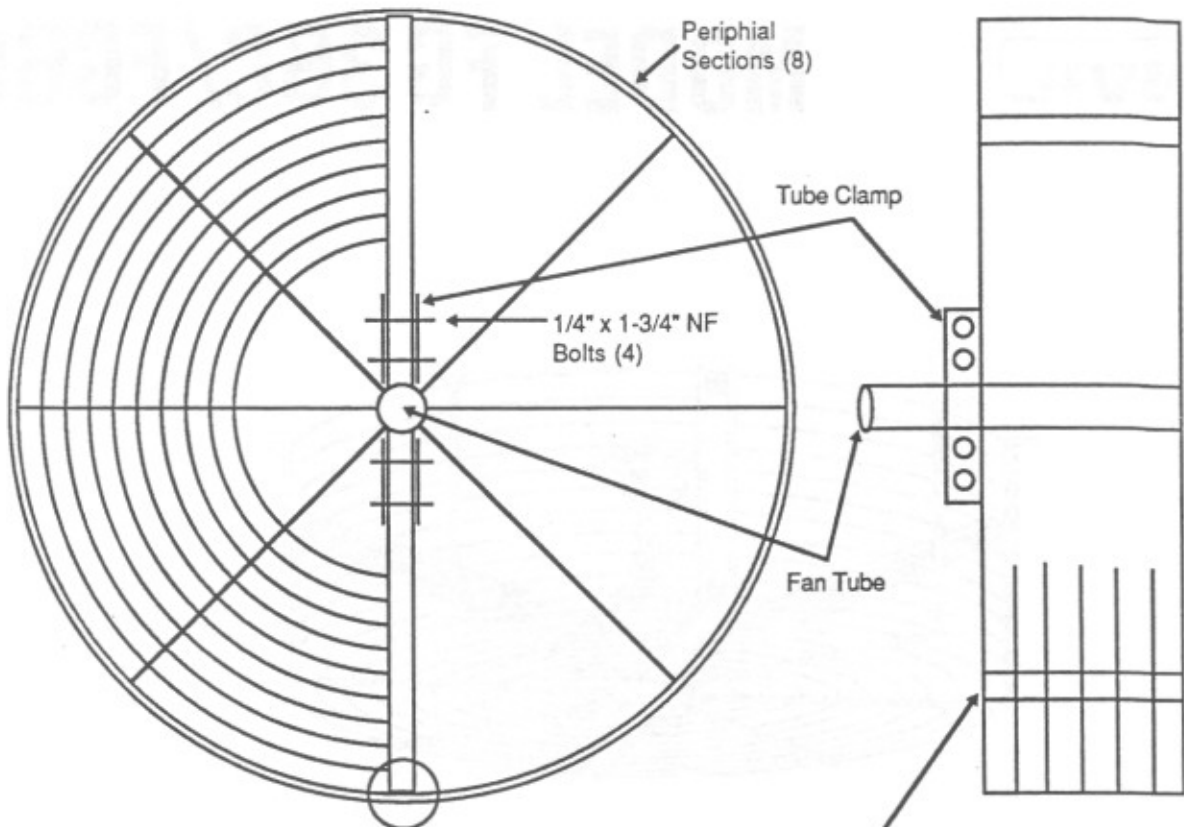


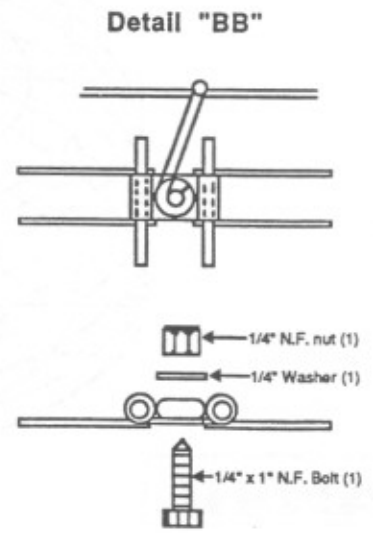
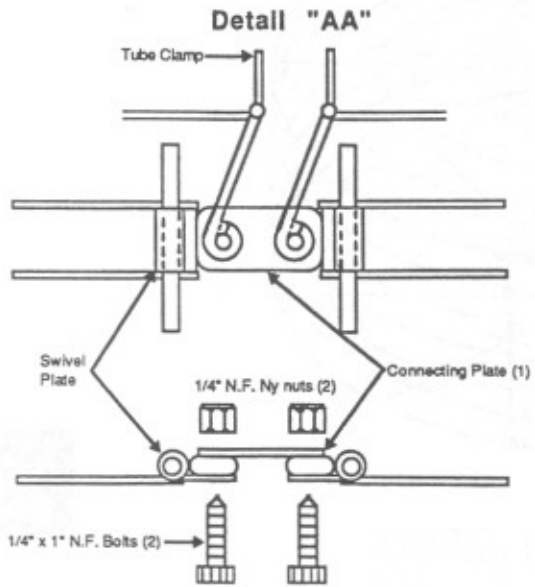
# MODEL FG36F/FG60F



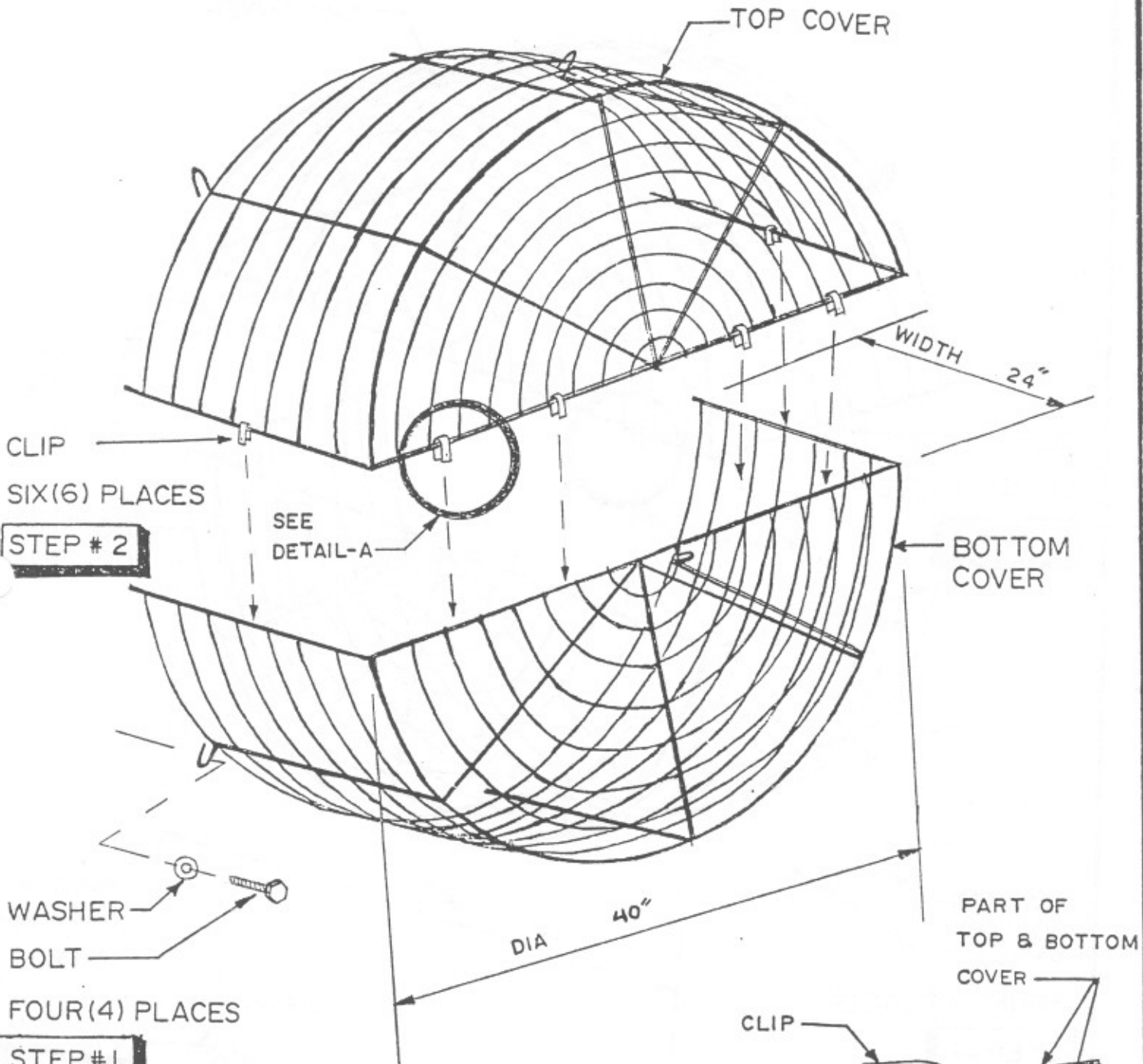
# FAN ENCLOSURE GUARD - Specs Sheet



Hardware	
4	Connecting Plates
4	1/4" x 1-3/4" NF bolts
22	1/4" x 1" NF bolts
26	1/4" NF Ny Nuts
12	1/4" Plate Washers



Model F.G. 36F  
F.G. 60F



WASHER  
BOLT  
FOUR (4) PLACES

**STEP # 1**

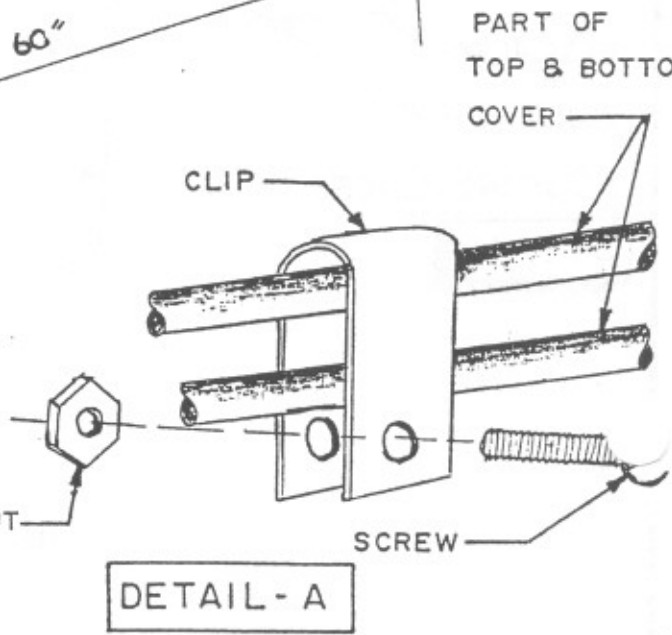
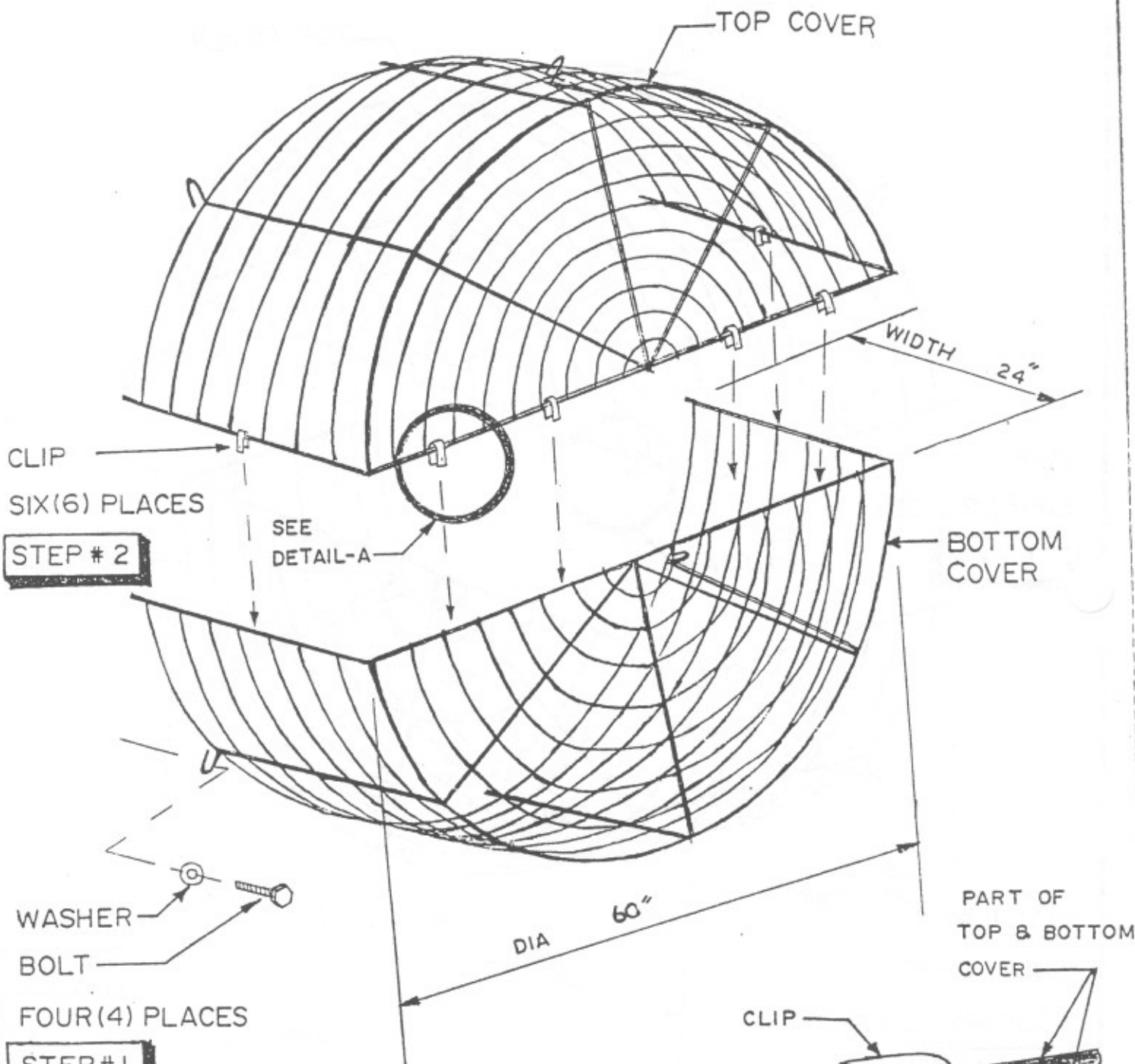
PART OF  
TOP & BOTTOM  
COVER

HEXAGONAL NUT

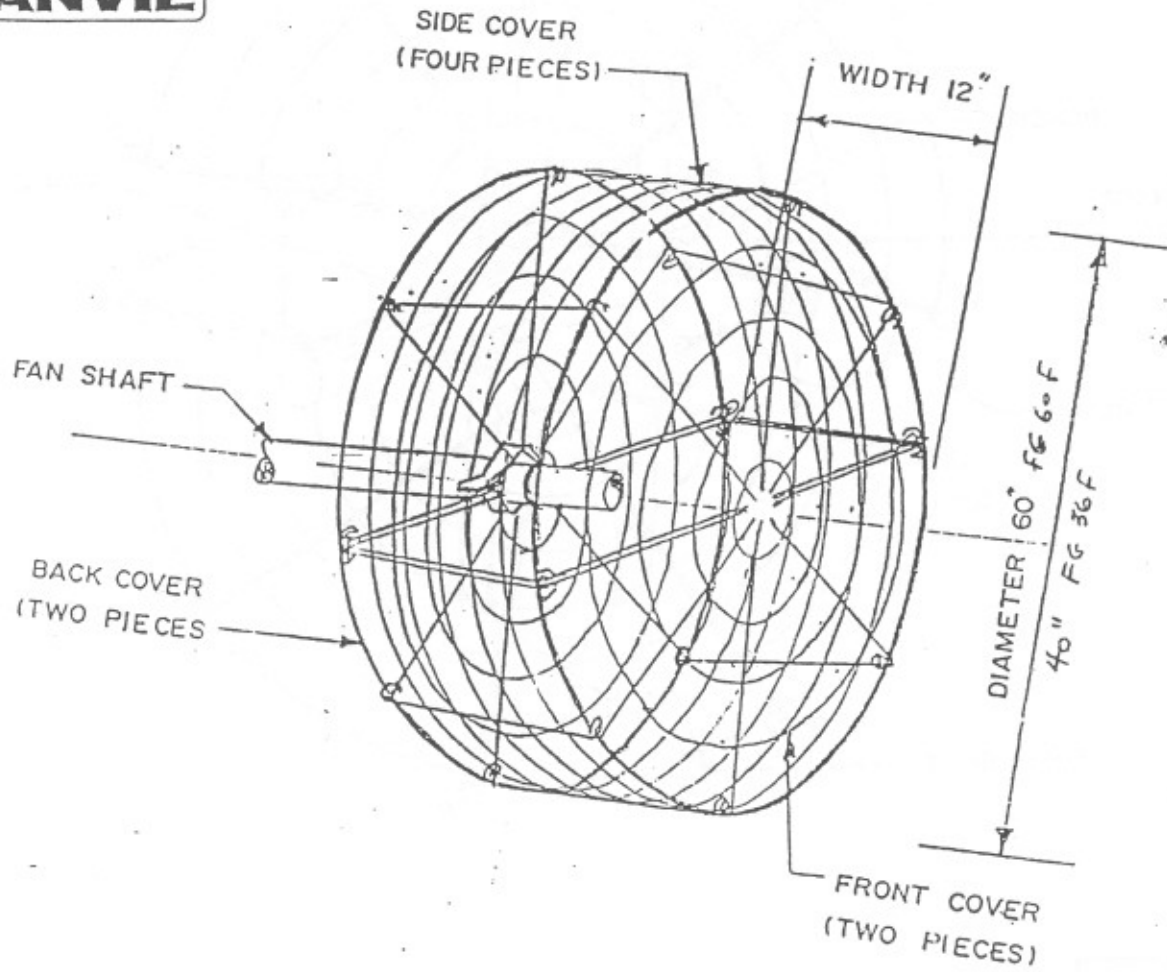
**DETAIL - A**

CLIP

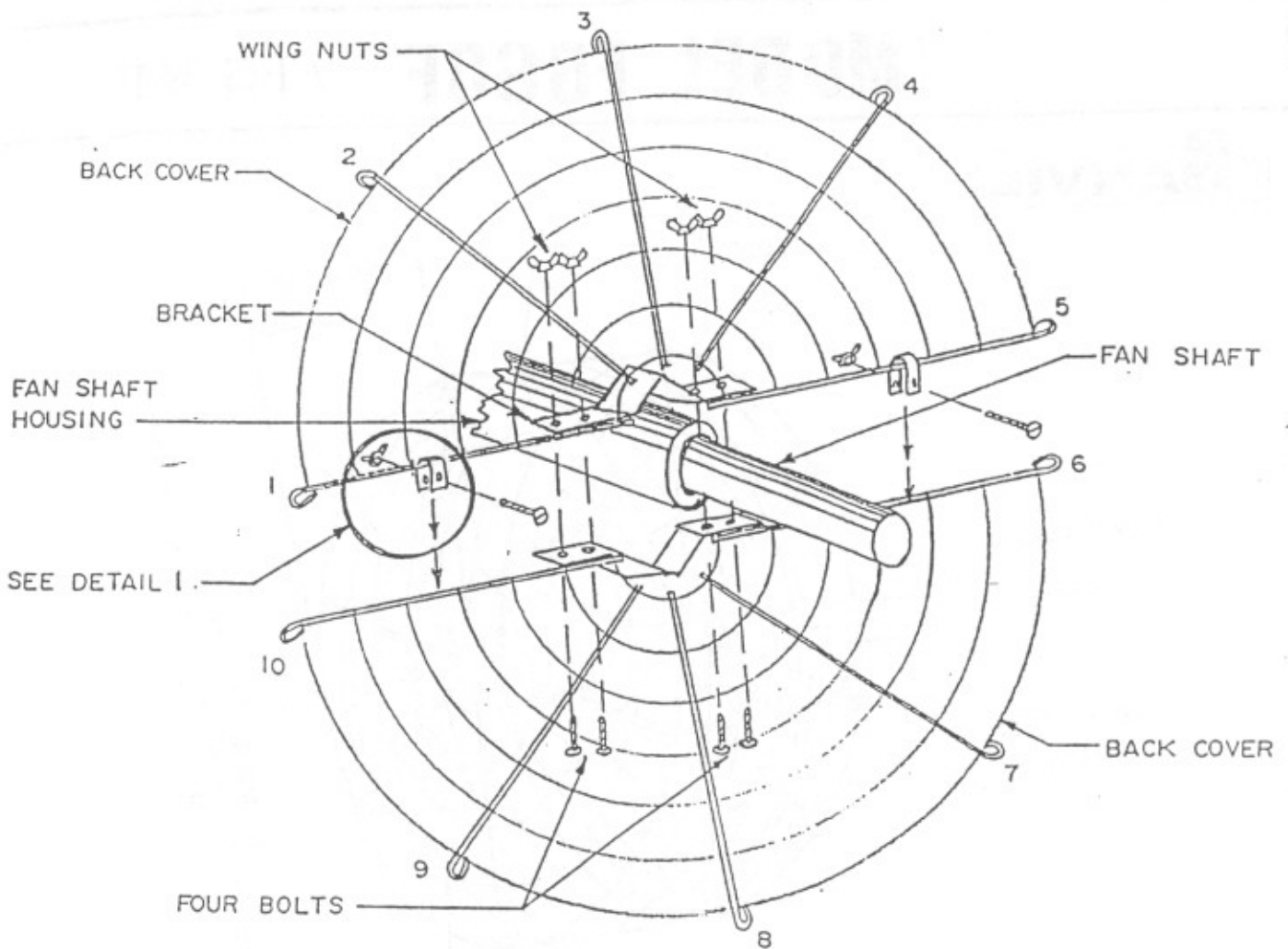
SCREW



# MODEL FG60F / FG 36F

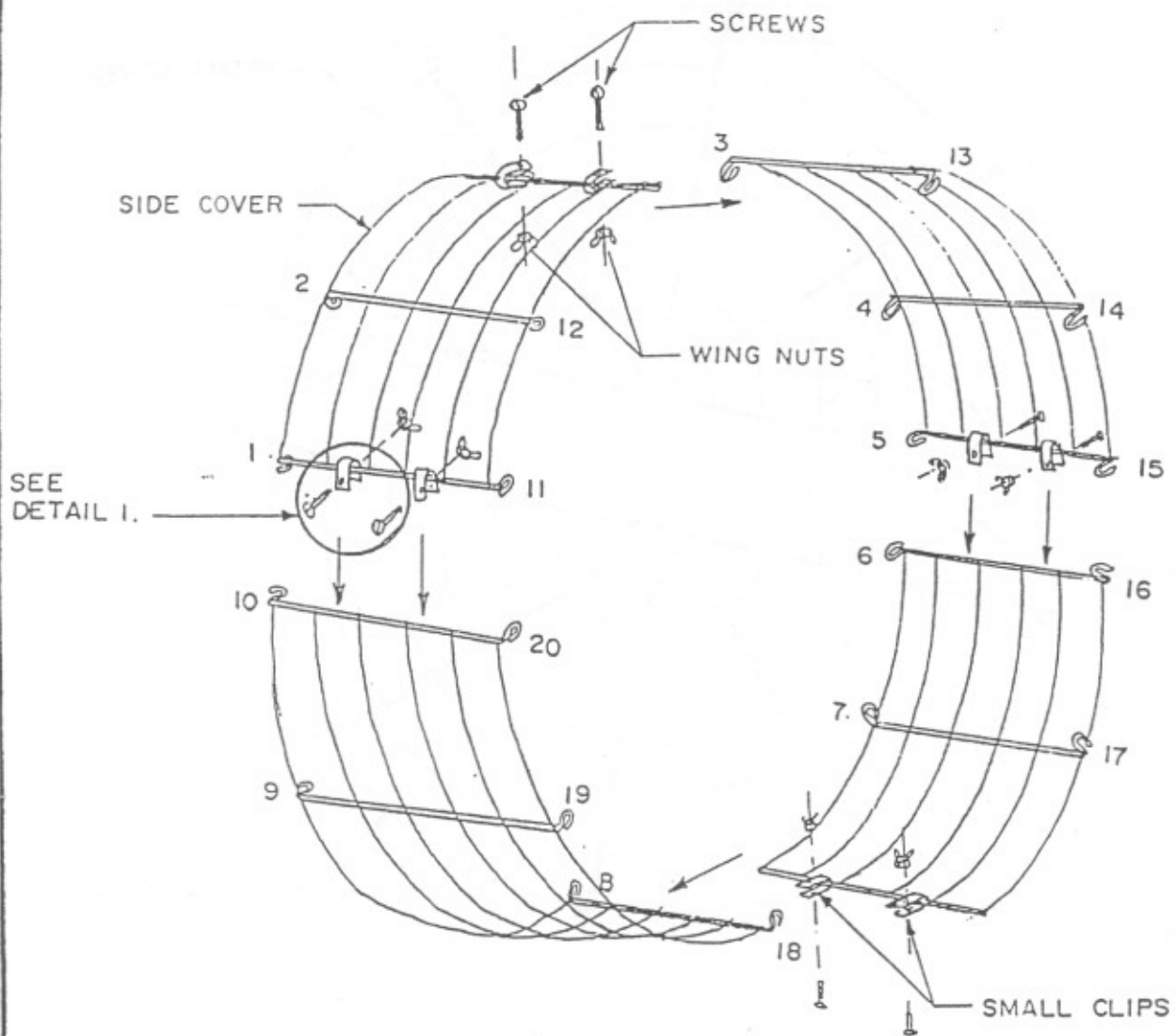


NO	ITEMS	QTY
1	BACK COVER	2
2	FRONT COVER	2
3	SIDE COVER	4
4	BIG CLIP	4
5	SMALL CLIP	8
6	WING NUT	36
7	SCREW	36



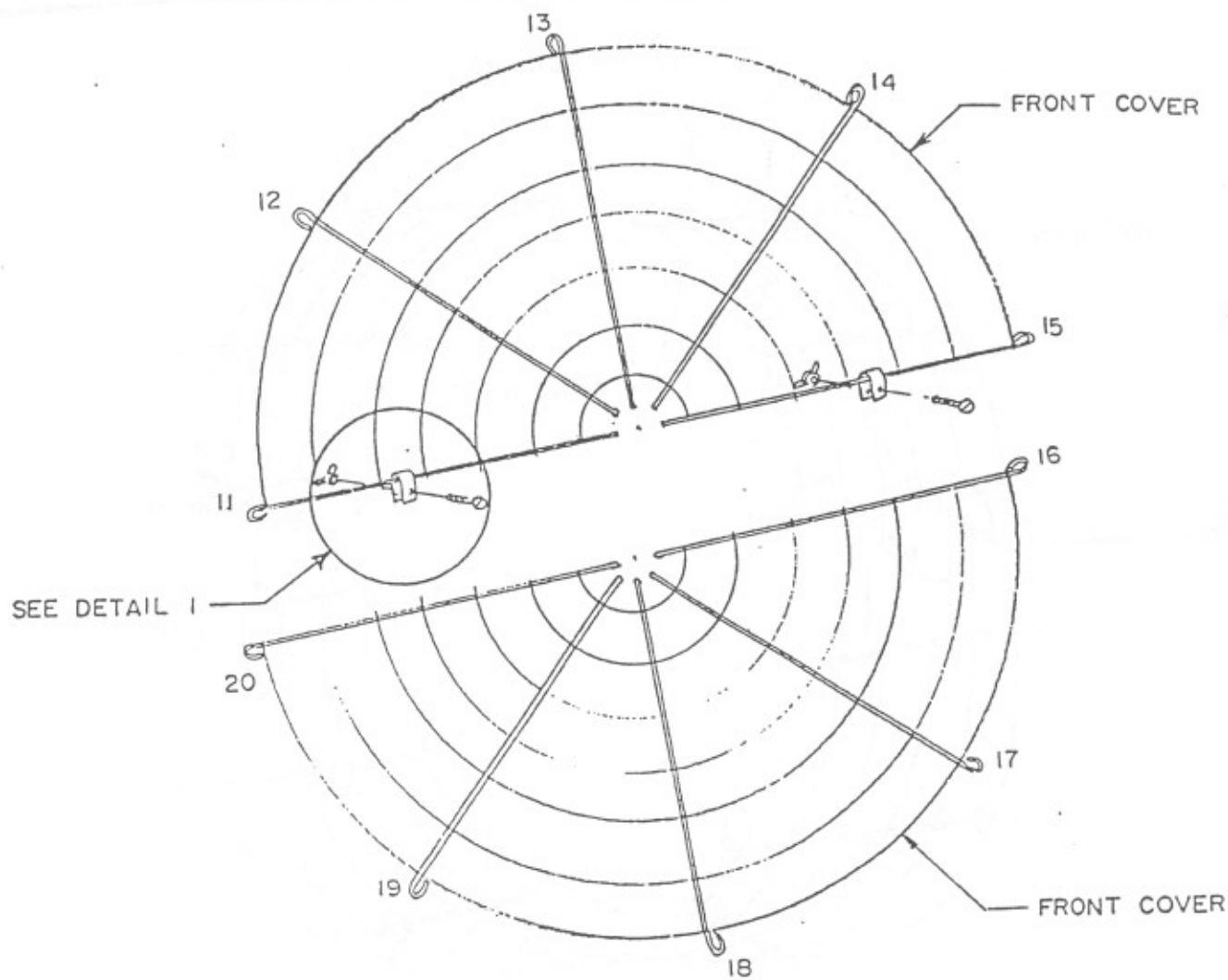
**STEP # 1**

INSTALL TWO HALF BACK COVERS ON FAN SHAFT HOUSING WITH FOUR BOLTS AND TWO BIG CLIPS.(AS SHOWN IN DETAIL I.)



**STEP # 2**

ATTACH FOUR SIDE COVERS  
TOGETHER WITH TWO SMALL  
CLIPS (TOTAL 8 CLIPS) AS  
SHOWN IN DETAIL I.



### STEP # 3

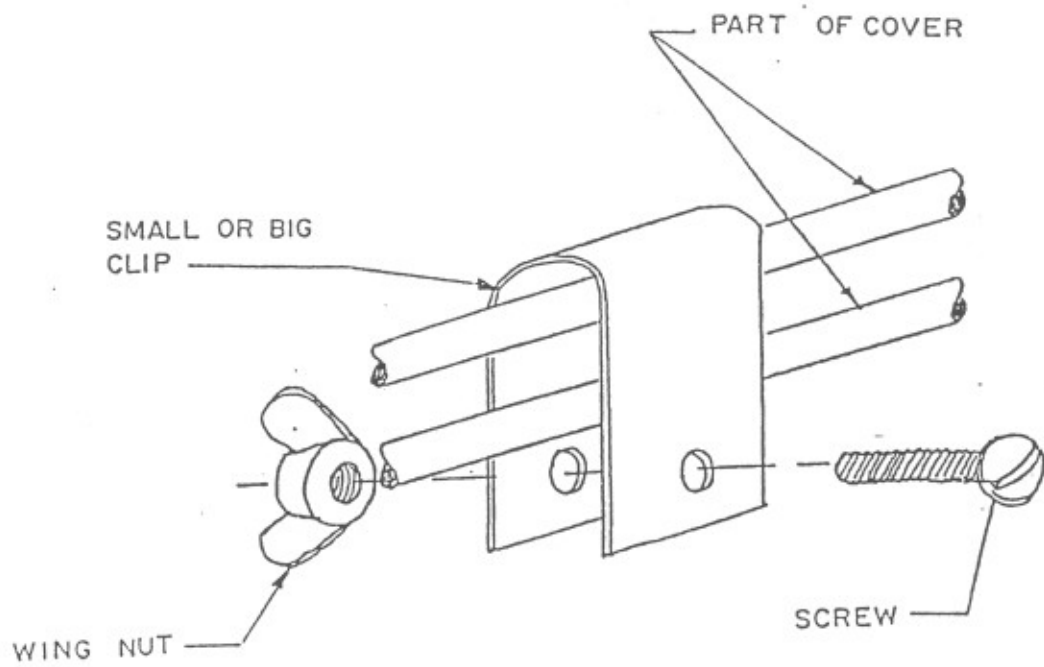
ATTACH TWO HALF FRONT COVER  
TOGETHER WITH TWO BIG CLIPS  
(SEE DETAIL 1)

### STEP # 4

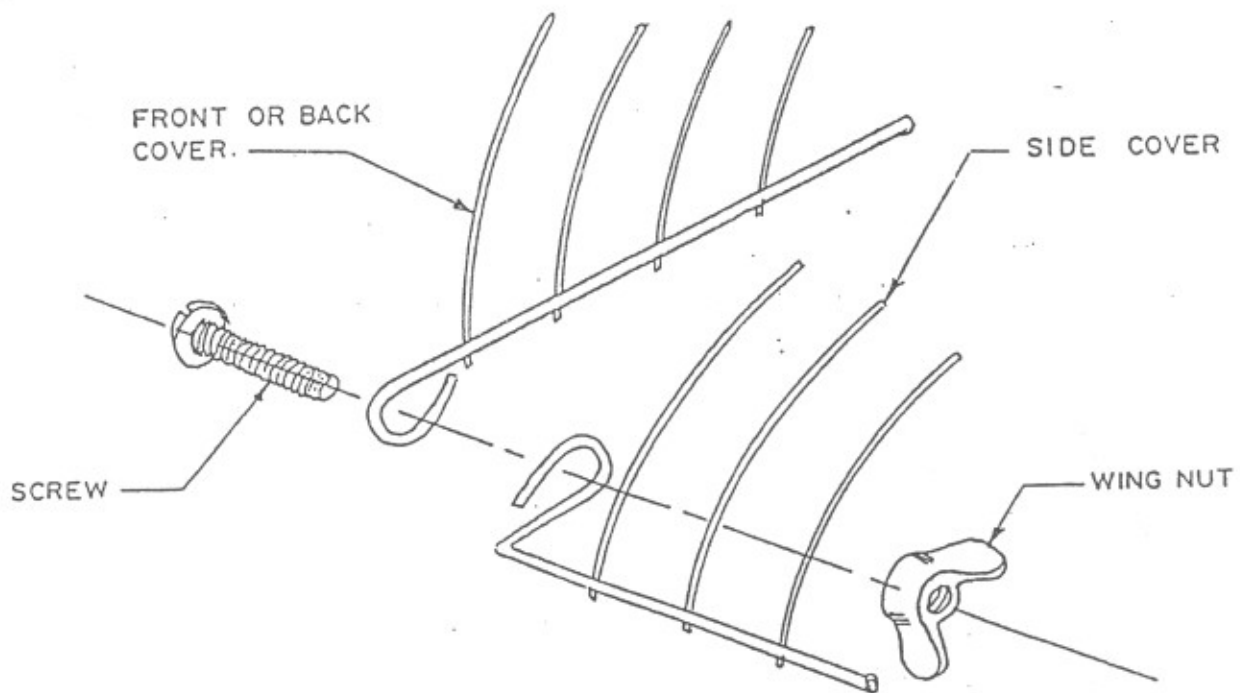
PLACE POINTS 1,2,....10 OF STEP# 1 TOGETHER  
WITH POINTS 1,2,.....10 OF STEP # 2 AND JOIN  
AS SHOWN IN DETAIL 2

### STEP # 5

PLACE POINTS 11,12,.....20 OF STEP # 2 TOGETHER WITH  
POINTS 11,12,....20 OF STEP #3 AND JOIN AS SHOWN IN DETAIL 2



DETAIL 1



DETAIL 2