

UL/cUL Listed LED Flood light Series



Model No.		10W UL/cUL Listed LED Flood Light Series	20W UL/cUL Listed LED Flood Light Series	30W UL/cUL Listed LED Flood Light Series	50W UL/cUL Listed LED Flood Light Series
Product Code		FLA10W-DLC	FLA201-DLC	FLA301-DLC	FLA501-DLC
OVERALL LAMP PARAMETERS	Input Voltage	100-240VAC 50/60Hz	100-277VAC 50/60Hz		
	Input Current	0.04-0.10	0.07-0.20	0.10-0.30	0.10-0.30
	Input Power	10W	20W	30W	50W
	Power Factor	>0.6	>0.95	>0.95	>0.6
	Luminance	1000 +/- 100LM	1,600+/-100LM	2,400+/- 100LM	4000+/- 100LM
	Luminous Efficiency	90LM/W			
	CRI	≥75			
	Beam Angle	120°	60°/ 120°		
	Main Structure	Aluminum + Toughened glass			
Surface	Baking Varnish				
LED DRIVER	Output Voltage	27-36VDC	30-36VDC		
	Output Current	0.3A	0.6A	0.9A	1.5A
	Driver Efficiency	80%	88%		
LED	LED Type	SSHS3030 SMD LED			
	LED Quantity	12PCS	25PCS	35PCS	60PCS
	LED Manufacturer	Epistar			
	LED Efficacy	125LM/W			
	Color Temperature	Cool White			
	CCT	5700K			
LIFESPAN & ENVIRONMENT	Lifespan	≥50,000 Hours			
	Warranty	3 Years			
	IP Rating	IP65(Outdoor Using)			
	Operating Temperature	-37 ⁰ C ~ 55 ⁰ C			
	Storage Temperature	-40 ⁰ C~80 ⁰ C			
	Working Humidity	≤95%			
SAFETY & EMC	Safety Norms	UL 1598 and CSA C22.2 No.250.0-08, UL 8750			
	Withstand Voltage	I/P-O/P:3.75KVAC I,/P-F/G:2KVAC,O/P-FG:0.5KVAC			
	Grounding Resistance	25A 100mO			
	Electromagnetic Compatibility	EN55015, EN61000-3-2, EN61000-3-3, EN61547, EN61000-4-2, EN61000-4-3, EN61000-4-4, EN61000-4-5, EN61000-4-6, EN61000-4-8.			
OTHERS	Dimension	Please refer to attached dimension drawing			
	Net Weight	MAX 0.5KG/PC	MAX 1KG/PC	MAX 2KG/PC	MAX 2.7KG/PC
	Gross Weight	MAX 0.56KG/PC	MAX 1.2KG/PC	MAX 2.4KG/PC	MAX 2.9KG/PC
	Box Size(mm)	12*9*9.5CM	23*19*14.5CM	27*23.8*17.5CM	27*23.8*17.5CM
	Carton Size(mm)	50.5*29*21.5CM	59.5*48*32CM	56.5*49.6*38CM	56.5*49.6*38CM
	Qty. /Carton	24PCS/CTN	12PCS/CTN	8PCS/CTN	8PCS/CTN
	Carton Weight	13.5KG/CTN	16.5KG/CTN	19.5KG/CTN	19.5KG/CTN

UL/cUL Listed LED Flood light Series



Model No.		100W UL/cUL Listed LED Flood light Series	150W UL/cUL Listed LED Flood light Series	210W UL/cUL Listed LED Flood light Series	320W UL/cUL Listed LED Flood light Series
Product Code		FLA1001-DLC	FLA1501-DLC	FLA2101-DLC	FLA320-DLC
OVERALL LAMP PARAMETERS	Input Voltage	100-277VAC 50/60Hz	100-277VAC 50/60Hz	100-277VAC 50/60Hz	100-277VAC 50/60Hz
	Input Current	0.36-1.00	0.54-1.50	0.54-1.50	1.15-3.2
	Input Power	100W(Meanwell CEN-100-42)	150W(Meanwell)	210W(Meanwell)	320W(Meanwell)
	Power Factor	>0.95			
	Luminance	10,000 +/- 100LM	15,000 +/- 100LM	20,000 +/- 100LM	32000 +/- 200LM
	Luminous Efficiency	90LM/W			
	CRI	≥75			
	Beam Angle	120°	60°/ 120°		
	Main Structure	Aluminum + Toughened glass			
Surface	Baking Varnish				
LED DRIVER	Output Voltage	30-36VDC			
	Output Current	3.0A	4.5A	6.3A	9.6A
	Driver Efficiency	90%	90%	93%	95%
LED	LED Type	USA CREE SMD			
	LED Quantity	48PCS	72PCS	96PCS	168PCS
	LED Manufacturer	CREE			
	LED Efficacy	125LM/W			
	Color Temperature	Cool White			
	CCT	5700K			
LIFESPAN & ENVIRONMENT	Lifespan	≥50,000 Hours			
	Warranty	3 Years			
	IP Rating	IP65(Outdoor Using)			
	Operating Temperature	-37°C ~ 55°C			
	Storage Temperature	-40°C~80°C			
	Working Humidity	≤95%			
SAFETY & EMC	Safety Norms	UL 1598 and CSA C22.2 No.250.0-08, UL 8750			
	Withstand Voltage	I/P-O/P:3.75KVAC I,/P-F/G:2KVAC,O/P-FG:0.5KVAC			
	Grounding Resistance	25A 100mO			
	Electromagnetic Compatibility	EN55015, EN61000-3-2, EN61000-3-3, EN61547, EN61000-4-2, EN61000-4-3, EN61000-4-4, EN61000-4-5, EN61000-4-6, EN61000-4-8.			
OTHERS	Dimension	Please refer to attached dimensions drawing			
	Net Weight	MAX 4.6KG/PC	MAX 9.3KG/PC	MAX 9.3KG/PC	MAX 12.8KG/PC
	Gross Weight	MAX 5.6KG/PC	MAX 10KG/PC	MAX 10KG/PC	MAX 13.5KG/PC
	Box Size(mm)	45*36.5*24CM	51*37.2*23.6CM	51*37.2*23.6CM	81.5*34*26CM
	Carton Size(mm)	75.5*46.5*26.5CN	53.2*38.9*50.2CM	53.2*38.9*50.2CM	84*35.5*28.5CM
	Qty. /Carton	2PCS/CTN	2PCS/CTN	2PCS/CTN	1PC/CTN
	Carton Weight	15KG/CTN	22KG/CTN	22KG/CTN	16KG/CTN

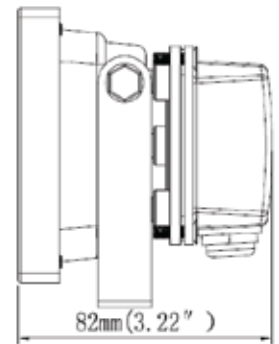
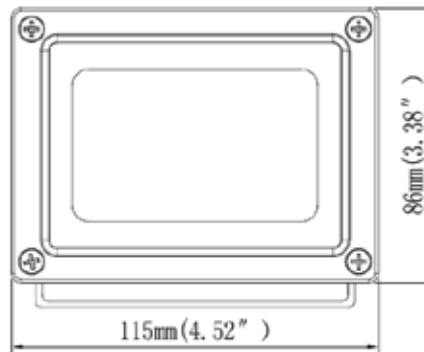
Dimensions:

FLA10W-DLC

Dimension (mm)



10W

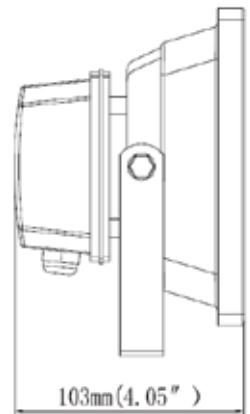
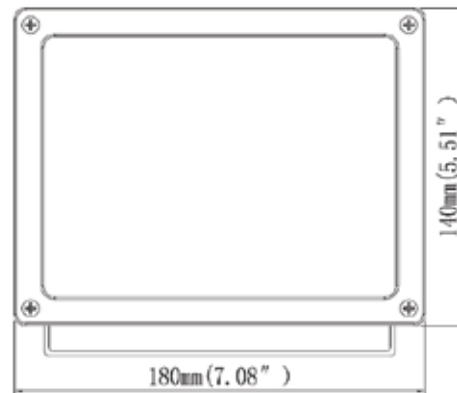


FLA201-DLC

Dimension (mm)



20W



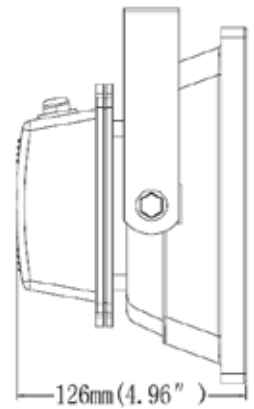
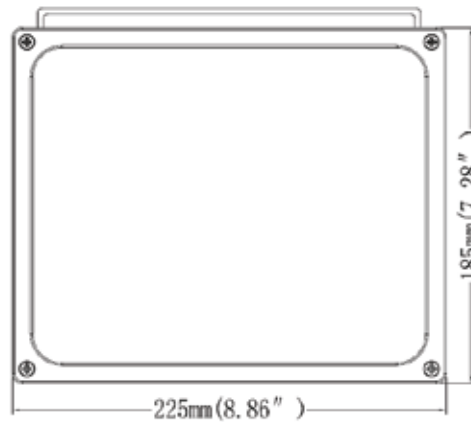
Dimensions:

FLA301-DLC

Dimension (mm)



30W

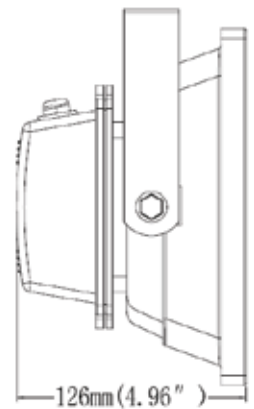
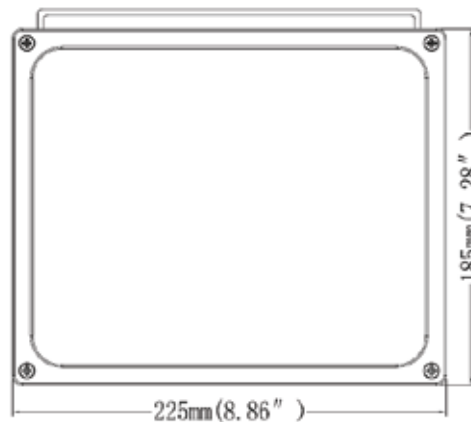


FLA501-DLC

Dimension (mm)



50W



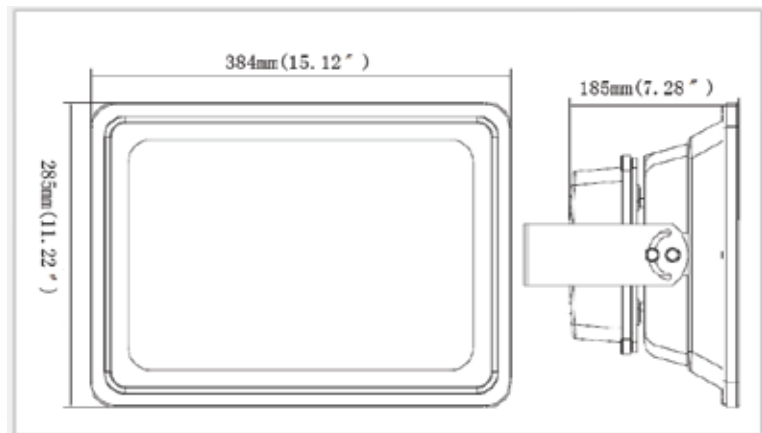
Dimensions:

FLA1001-DLC

Dimension (mm)



100W

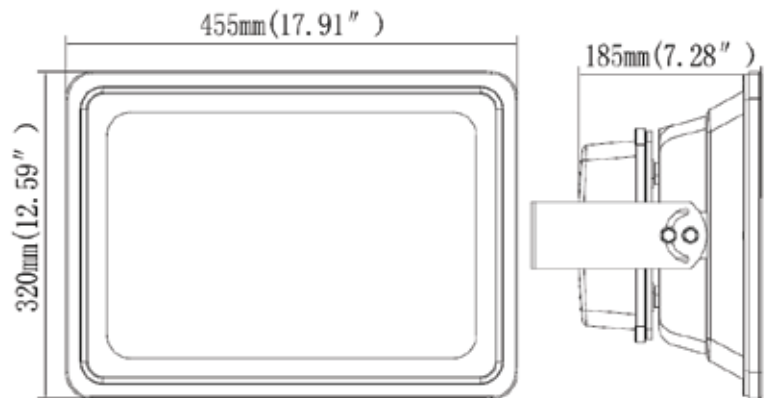


FLA1501-DLC

Dimension (mm)



150W



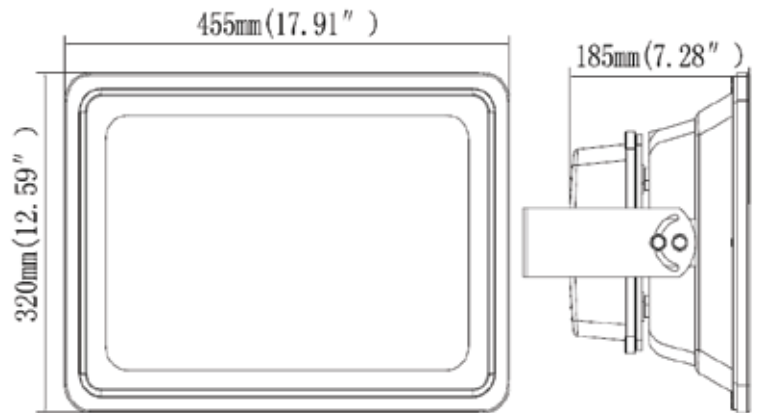
Dimensions:

FLA2101-DLC

Dimension (mm)



210W



FLA320-DLC

Dimension (mm)



320W

