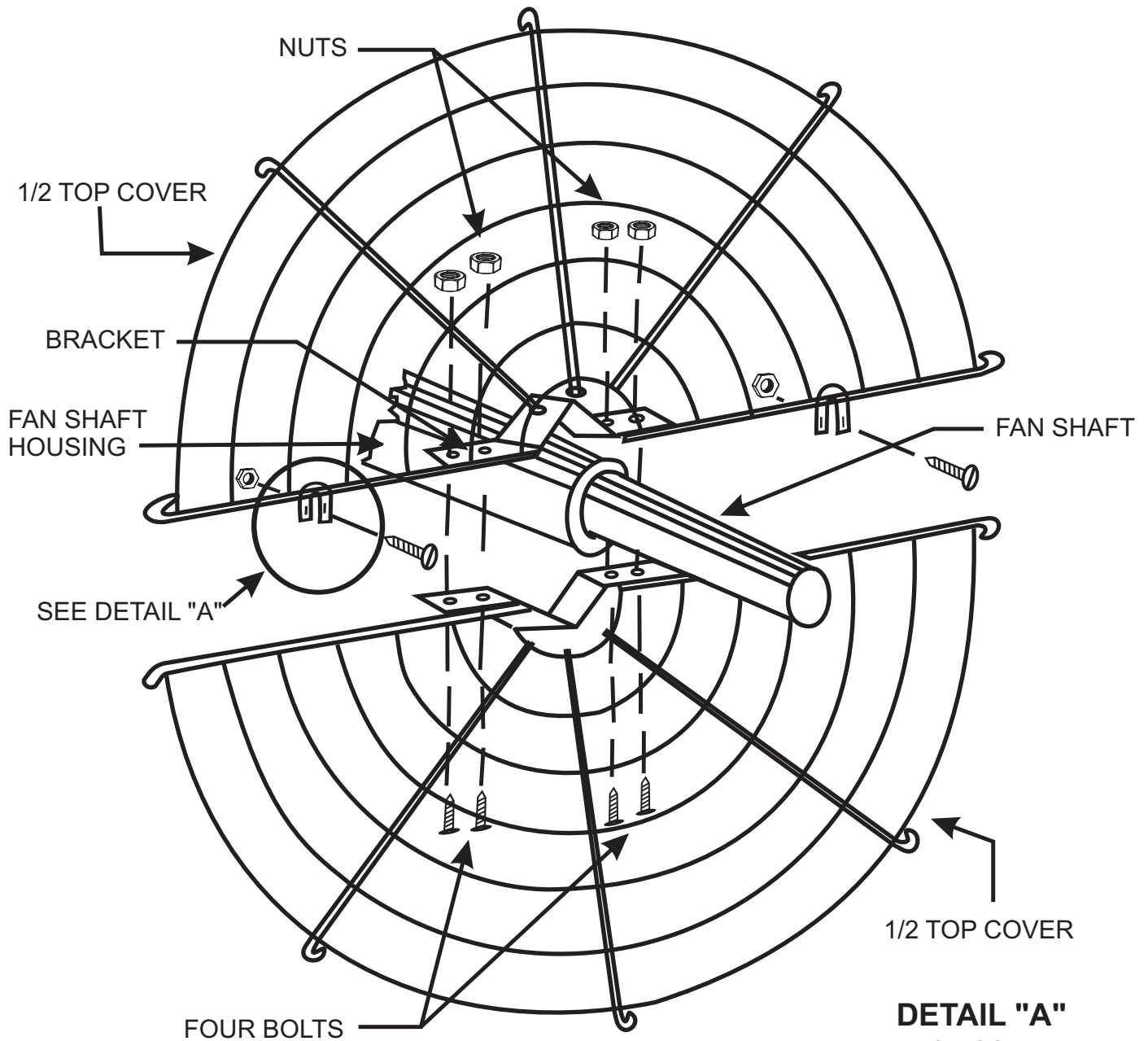
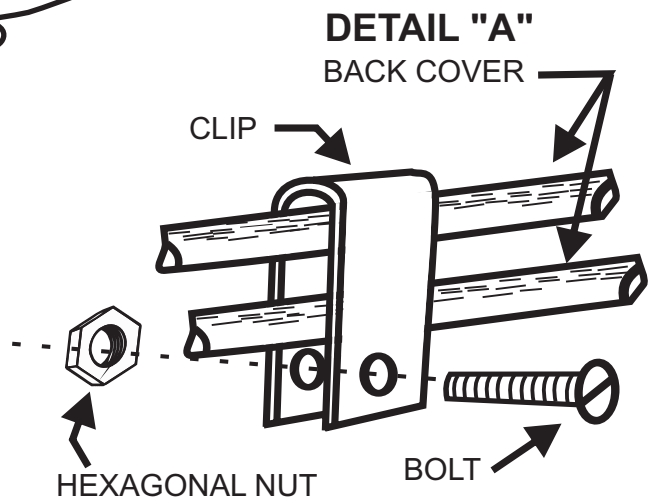


**FAN MOUNT APPLICATION  
MODEL FG 36F/60F TOP COVER**

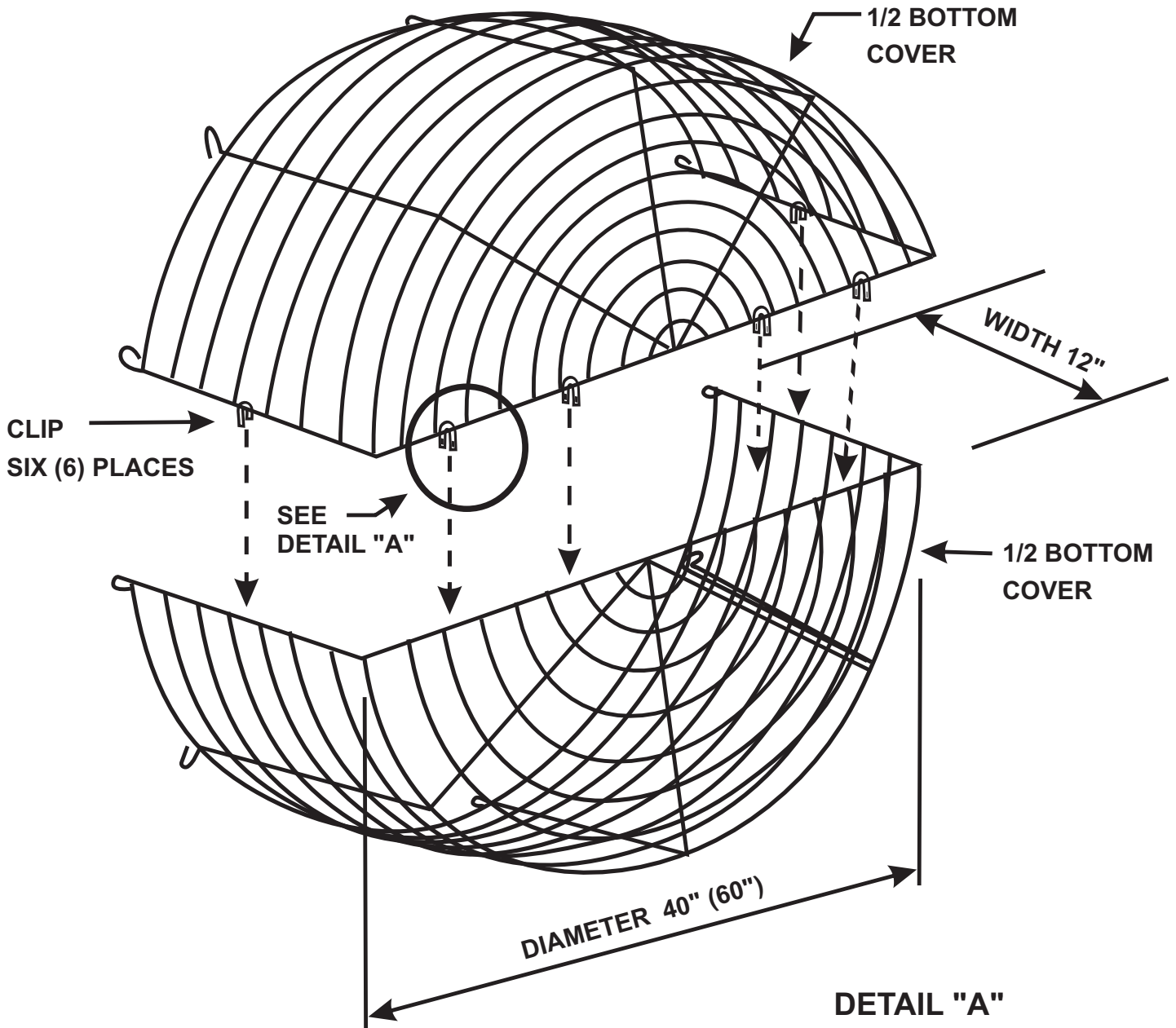


**ASSEMBLY INSTRUCTIONS**

1. Install the two 1/2 top covers onto the fan shaft housing with 4 bolts (1 3/4") and two brackets, also attach two small clips.
2. Attach the two 1/2 bottom covers together with 6 small clips as shown.
3. Place the assembled bottom cover onto the assembled top cover.
4. Line up the looped wire ends and attach the 10 bolts, washers and hexagonal nuts.
5. 3 Safety Cables are required & supplied with necessary hardware.



**FAN MOUNT APPLICATION  
MODEL FG 36F/60F BOTTOM COVER**



HARDWARE MODEL F/36 or 60	
ITEMS	Qty
Top Cover	2
Bottom Cover	2
1 3/4" x 1/4-20 Bolts	4
1/4" Bolts	8
Clips	8
1" x 1/4-20 Bolts	10
1/4" Washer	10
1/4" - 20 Nuts	22

