



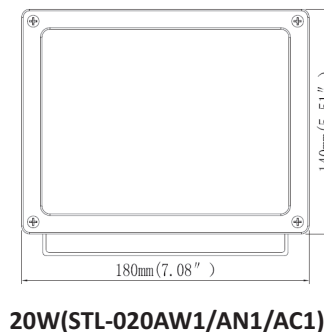
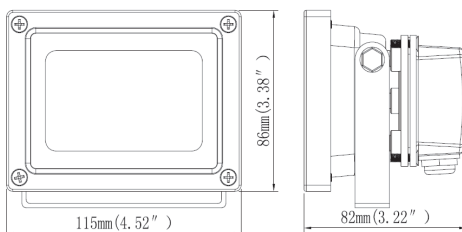
BANVIL NATIONAL CUSTOMER SERVICE
Toll Free: 1-888-8BA-NVIL (1-888-822-6845)

Model NO . :		STL -010AW1 AN1 AC1	STL -020AW1 AN1 AC1	STL -030AW1 AN1 AC1	STL -050AW1 AN1 AC1	STL -080AW1 AN1 AC1
Ref NO.:		FLA10W -60	FLA201 -02	FLA301 -02	FLA501 -02	FLA801 -02
OVERALL LAMP PARAMETERS	Input Voltage	100 -240VAC	100 -277VAC	100 -240VAC	100 -240VAC	100 -277VAC
	Input Current	0 1A MAX	0 2A MAX	0 3A MAX	0 5A MAX	0 8A MAX
	Input Power	10W	20W	30W	50W	80W
	Power Factor	>0.6	>0.95	>0.95	>0.6	>0.95
	Luminance	900LM	1800LM	2700LM	4500LM	7200LM
	Luminous Efficiency	90LM/W	90LM/W	90LM/W	90LM/W	90LM/W
	CRI	>75				
	Beam Angle	120°/60°				
	Main Structure	Aluminium +Tempered Glass				
Surface	Baking Varnish					
LED DRIVER	Output Voltage	27 -36VDC	30 -36VDC	30 -36VDC	30 -36VDC	30 -36VDC
	Output Current	0 3A	0 6A	0 9A	1 5A	2 4A
	Driver Efficiency	80%	88%	88%	88%	88%
LED	LED Type	Integrated SMD				
	LED Quantity	1PCS	1PCS	1PCS	1PCS	1PCS
	LED Manufacturer	Bridgelux				
	LED Efficacy	125LM/W	125LM/W	125LM/W	125LM/W	125LM/W
	Color Temperature	Warm white Neutral white Cool white				
LIFESPAN & ENVIRONMENT	Lifespan	50000Hrs .				
	Warranty	3 Years	3 Years	3 Years	3 Years	3 Years
	IP Rating	IP65				
	Operating Temperature	-25 —+40				
Storage Temperature Humidity	40 —+80 10—90% RH					
SAFETY & EMC	Safety Norms	UL 1598 and CSA C22 2 No 250 0 -08 ,UL 8750				
	Withstand Voltage	I P -O P 3 75KVAC I P -F G 2KVAC Q P -FG 0 5KVAC				
	Grounding Resistance	25A 100mO				
	Electromagnetic Compatibility	EN55015 ,EN61000 -3 -2 ,EN61000 -3 -3 ,EN61547 ,EN61000 -4 -2 EN61000 -4 -3 EN61000 -4 -4 EN61000 -4 -5 EN61000 -4 -6 EN61000 -4 -8 .				
OTHERS	Dimension	Pls refer to attached dimension drawing				
	Net Weight	0 5KG	1 06KG	1 85KG	2 6KG	4 2KG
	Gross Weight	0 6KG	1 2KG	2 1KG	3 0KG	4 8KG
	Box Size m(n)	117 *95 *115	219 *132 *187	260 *165 *232	315 *181 *275	325 *156 *465
	Carton Size m(n)	488 *300 *255	677 *279 *399	800 *345 *257	744 *330 *300	670 *480 *181
	Q ty /Carton	24	12	6	4	2

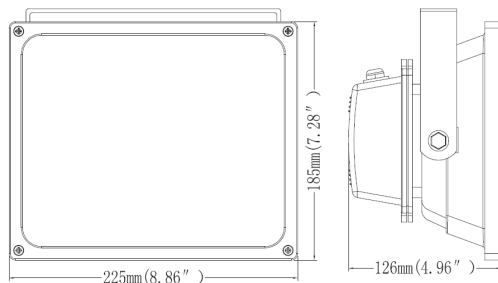
10-150W, white and brown boxes are available

DIMENSIONS

10W(STL-010AW1/AN1/AC1)



30W(STL-030AW1/AN1/AC1)



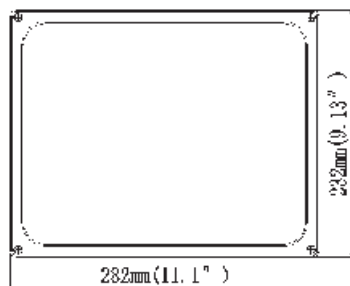
20W(STL-020AW1/AN1/AC1)



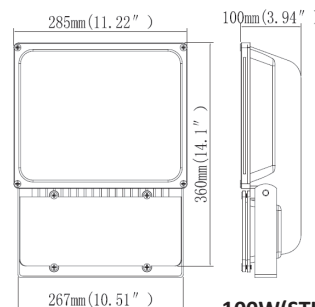
BANVIL NATIONAL CUSTOMER SERVICE
Toll Free: 1-888-8BA-NVIL (1-888-822-6845)

Model NO . :		STL -100AW1 AN1 AC1	STL -150AW1 AN1 AC1	STL -210AW1 AN1 AC1	STL -240AW1 AN1 AC1	STL -320AW1 AN1 AC1
Ref NO.:		FLC1001-02	FLA1501 -02	/	/	/
OVERALL LAMP PARAMETERS	Input Voltage	100 -277VAC	100 -277VAC	100 -277VAC	100 -277VAC	100 -277VAC
	Input Current	1.0A MAX	1.5A MAX	2 1A MAX	2 4A MAX	3 2A MAX
	Input Power	100W	150W	210W	240W	320W
	Power Factor	>0.95	>0.95	>0.95	>0.95	>0.95
	Luminance	9000LM	13500LM	18900LM	21600LM	28800LM
	Luminous Efficiency	90LM/W	90LM/W	90LM/W	90LM/W	90LM/W
	CRI	>75				
	Beam Angle	120°/60°				
	Main Structure	Alluminium +Tempered Glass				
Surface	Baking Varnish					
LED DRIVER	Output Voltage	30 -36VDC	30 -36VDC	30 -36VDC	30 -36VDC	30 -36VDC
	Output Current	3.0A	4.5A	6 3A	7.2A	9 6A
	Driver Efficiency	90%	90%	93%	93%	95%
LED	LED Type	Integrated SMD				
	LED Quantity	1PCS	3PCS	3PCS	3PCS	3PCS
	LED Manufacturer	Bridgelux				
	LED Efficacy	125LM/W				
	Color Temperature	Warm white Neutral white Cool white				
LIFESPAN & ENVIRONMENT	Lifespan	50000Hrs .				
	Warranty	3 Years				
	IP Rating	IP65				
	Operating Temperature	-25 — +40				
Storage Temperature Humidity	40 — +80 10—90% RH					
SAFETY & EMC	Safety Norms	UL 1598 and CSA C22 2 No 250 0 -08 ,UL 8750				
	Withstand Voltage	I P -O P 3 75KVAC I P -F G 2KVAC Q P -FG 0 5KVAC				
	Grounding Resistance	25A 100mO				
	Electromagnetic Compatibility	EN55015 ,EN61000 -3 -2 ,EN61000 -3 -3 ,EN61547 ,EN61000 -4 -2 EN61000 -4 -3 EN61000 -4 -4 EN61000 -4 -5 EN61000 -4 -6 EN61000 -4 -8 .				
OTHERS	Diamension	Pls refer to attached dimension drawing				
	Net Weight	5.2KG	8.0KG	12 85KG	12 85KG	13KG
	Gross Weight	5.7KG	9.0KG	15 6KG	15 6KG	16KG
	Box Size m(n)	325 *156 *465	362 *227 *495	815 *340 *260	815 *340 *260	815 *340 *260
	Carton Size m(n)	670 *480 *181	744 *510 *252	840 *355 *285	840 *355 *285	840 *355 *285
	Q ty /Carton	2	2	1	1	1
		10-150W, white and brown boxes are available		210W, 240W, 320W , only with brown box		

DIMENSIONS



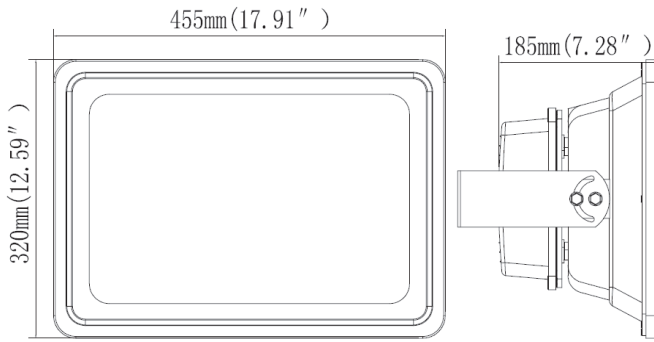
50W(STL-050AW1/AN1/AC1)



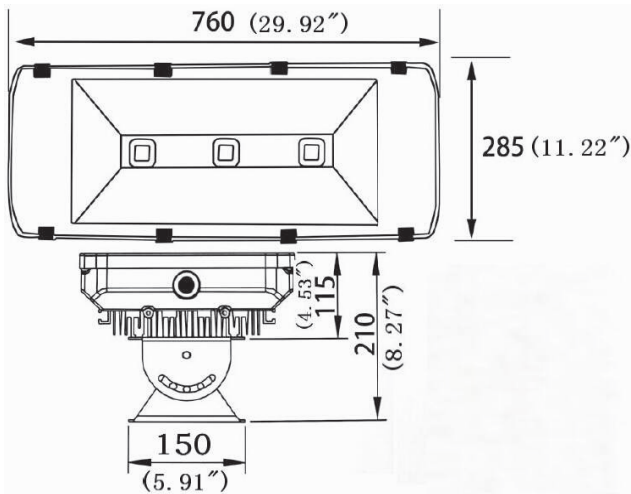
100W(STL-100AW1/AN1/AC1)

BANVIL NATIONAL CUSTOMER SERVICE
 Toll Free: 1-888-8BA-NVIL (1-888-822-6845)

DIMENSIONS (Cont`d)



150W(STL-150AW1/AN1/AC1)



- 210W(STL-210AW1/AN1/AC1)**
- 240W(STL-240AW1/AN1/AC1)**
- 320W(STL-320AW1/AN1/AC1)**



IP65 UL #: E361401