



# 150W

## UL/cUL Listed LED Flood Light



### Applications:

Outdoor flood lighting, Building decoration lighting, Industrial lighting, Advertising lighting and Road lighting

Item Code: FLA1501-DLC	Parameter Range
Power	150W(Meanwell)
LED Quantity	72PCS USA CREE SMD
Color	Cool White
CCT	5700K
CRI	≥75
Life-Span	≥50,000 Hours
Flux	15,000 +/- 100LM
Beam Angle	60°/ 120°
LED Manufacturer	CREE
Material	Aluminum + Toughened glass
Net Weight	MAX 9.3KG/PC
Gross Weight	MAX 10KG/PC
Inner Box Dimension	51*37.2*23.6CM
Outer Carton Dimension	53.2*38.9*50.2CM
Package Spec.	2PCS/CTN,22KG/CTN



Distributed by:

# 150W

## UL/cUL Listed LED Flood Light



### Features:


- ✓ High efficiency and energy saving of more than 80%
- ✓ Ultra-high brightness
- ✓ High color-rendering index
- ✓ Long life  $\geq 50,000$  hours

### Technical Request:

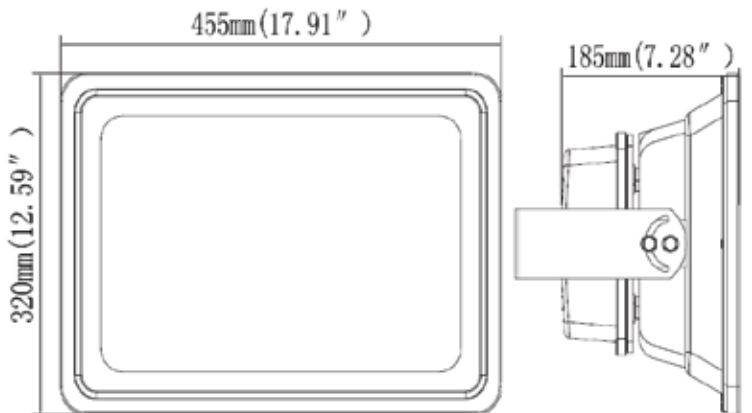
Item	Units	Parameter range
Working Environment	°C	-37°C - 55°C
Working Humidity		$\leq 95\%$
Storage Condition	°C	-40°C~80°C
Limited Voltage	V	100-277VAC 50/60Hz
Input Current	A	0.54-1.50
Protection Level		IP65(Outdoor using)

### Dimension:

**FLA1501-DLC**



**Dimension (mm)**



IP65 c 