



# 10W

## UL/cUL Listed LED Flood Light

### Applications:

Outdoor flood lighting, Building decoration lighting, Industrial lighting, Advertising lighting and Road lighting



Item Code: FLA10W-DLC	Parameter Range
Power	10W
LED Quantity	12PCS SSSHS3030 SMD LED
Color	Cool White
CCT	5700K
CRI	≥75
Life-Span	≥50,000 Hours
Flux	1000 +/- 100LM
Beam Angle	120°
LED Manufacturer	Epistar
Material	Aluminum + Toughened glass
Net Weight	MAX 0.5KG/PC
Gross Weight	MAX 0.56KG/PC
Inner Box Dimension	12*9*9.5CM
Outer Carton Dimension	50.5*29*21.5CM
Package Spec.	24PCS/CTN,13.5KG/CTN



Distributed by:

# 10W

## UL/cUL Listed LED Flood Light



### Features:


- ✓ High efficiency and energy saving of more than 80%
- ✓ Ultra-high brightness
- ✓ High color-rendering index
- ✓ Long life  $\geq 50,000$  hours

### Technical Request:

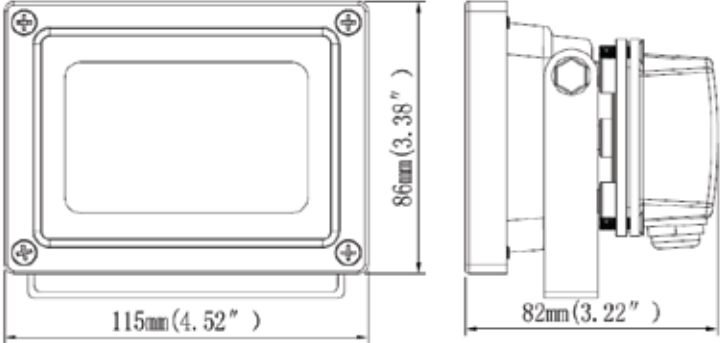
Item	Units	Parameter range
Working Environment	$^{\circ}\text{C}$	$-37^{\circ}\text{C} - 55^{\circ}\text{C}$
Working Humidity		$\leq 95\%$
Storage Condition	$^{\circ}\text{C}$	$-40^{\circ}\text{C} \sim 80^{\circ}\text{C}$
Limited Voltage	V	100-240VAC 50/60Hz
Input Current	A	0.04-0.10
Protection Level		IP65(outdoor using)


### Dimension:

**FLA10W-DLC**



**Dimension (mm)**



IP65 c  us 